



# Multi-channel round jet nozzles for air Series 600.326.3W

## Series 600.326.3W

The multi-channel round jet nozzles of the 600.326 series generate a powerful, circular air jet. The noise level and air consumption remain low even at higher air pressures. The zinc version permits use at increased pressure and temperature. The special geometry at the nozzle outlet prevents air penetration into human skin. These nozzles comply with the OSHA standards.



\* Complies with OSHA requirements on noise level



**Cost savings**

**8 %**



**Noise reduction**

**17 %**



**Material**  
Zinc



**Blowing force**  
.5 LBF at 29 psi



**Noise level**  
79 db(A) at 29 psi



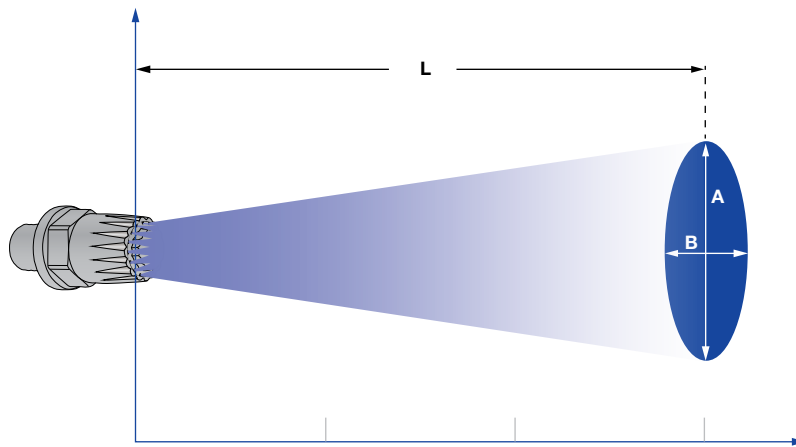
**Air consumption**  
 $V_{LN}=9$  SCFM at 29 psi



**Pressure**  
 $P_{max}=145$  psi



**Max. temperature**  
90°C/ 194°F

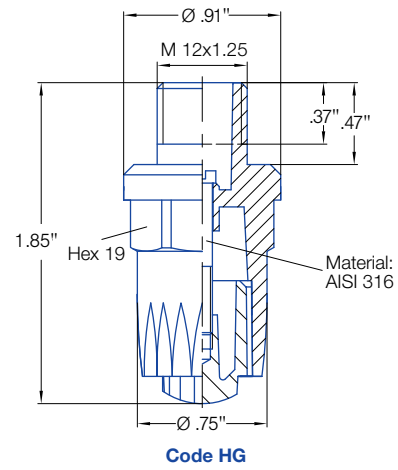
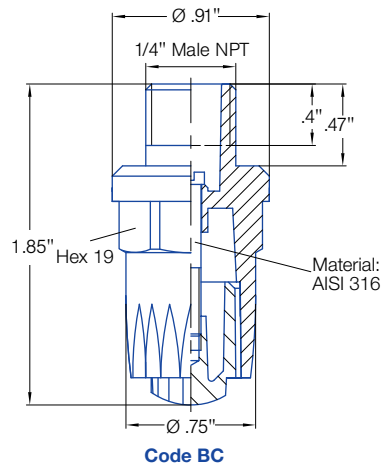
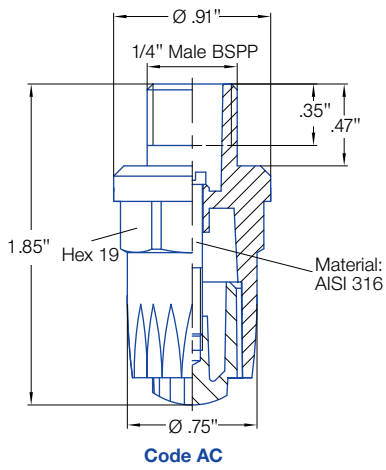


Jet pattern of 600.326.3W nozzle series

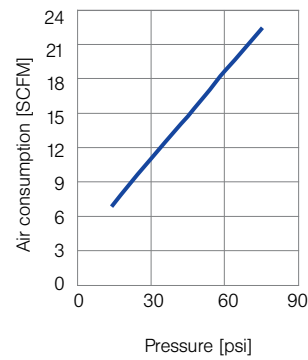
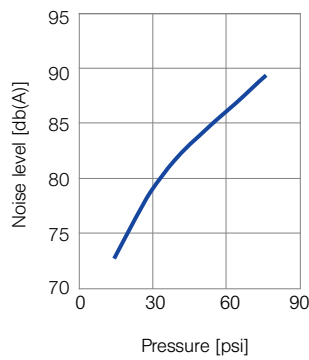
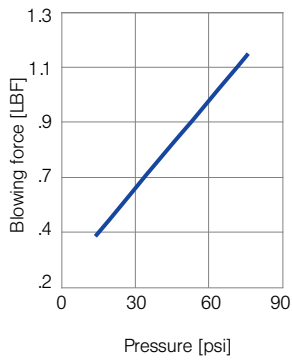
Pressure:	14.5 psi	44 psi	72.5 psi
Distance L [in]:	28	35	35

Jet image dimensions at L

A [in]:	6.3	8.7	10.2
B [in]:	6.3	8.7	10.2



### Technical data



Ordering no.		Conn.	Connection thread
Type			
<b>600. 326. 3W</b> (Material: Zinc GD-Z410)	<b>AC</b>		1/4" Male BSPP
	<b>BC</b>		1/4" Male NPT
	<b>HG</b>		M 12x1.25

<b>Example of ordering:</b>	<b>Type</b>	<b>+</b>	<b>Conn.</b>	<b>=</b>	<b>Ordering no.</b>
	<b>600. 326. 3W</b>	<b>+</b>	<b>AC</b>	<b>=</b>	<b>600. 326. 3W. AC</b>