



Mini multi-channel flat jet nozzles for air Series 600.382.35

Series 600.382.35

The mini multi-channel flat jet nozzles of the 600.382 series generate a narrow, powerful air jet. Very accurate and economical operation is possible thanks to the narrow orifice.



Cost savings

15%



Noise reduction

12%



Materials

Brass nickel plated,
PVC



Blowing force

5 LBF at 29 psi



Noise level

77.5 db(A) at 29 psi



Air consumption

$V_{LN}=9$ SCFM at 29 psi



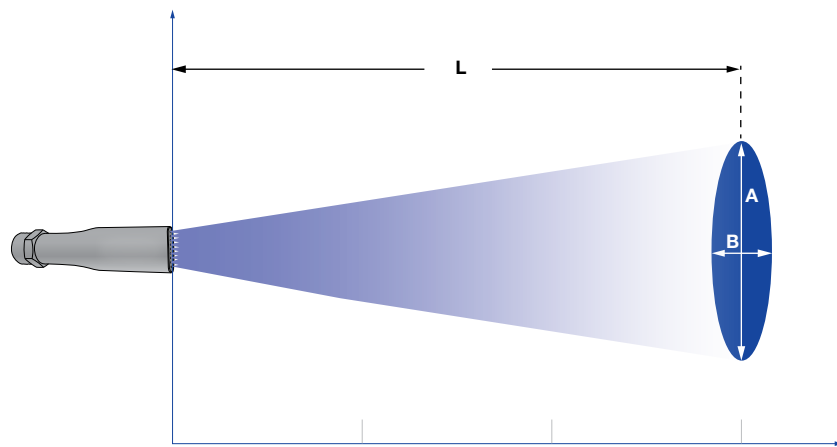
Pressure

$P_{max}=145$ psi



Max. temperature

50°C/ 122°F

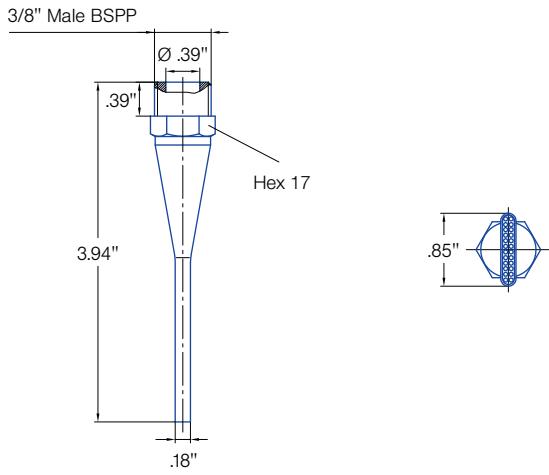


Jet pattern of 600.382.35 nozzle series

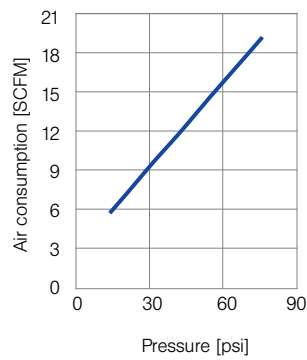
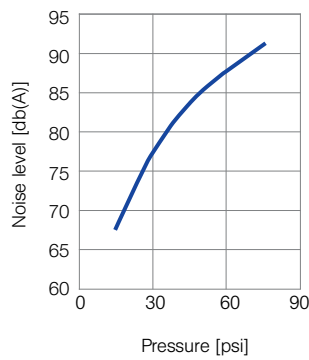
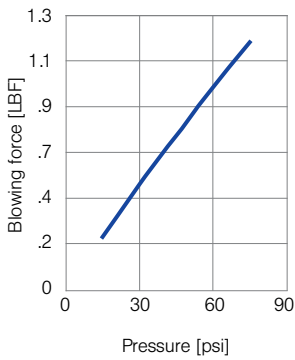
Pressure:	14.5 psi	44 psi	72.5 psi
Distance L [in]:	18.7	32.5	35

Jet dimensions at L

A [in]:	4.3	6.7	7.9
B [in]:	3.4	5.5	7.1



Technical data



Ordering no.		
Type	Mat. no.	Connection
	35	
	Brass nickel plated/ PVC	3/8" Male BSPP
600. 382	○	AE

Example of ordering: Type + Mat. no. + Conn. = Ordering no.
 600. 382. + 35 + AE = 600. 382. 35. AE