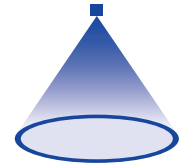


➤ Tangential-flow hollow cone nozzles

Series 308



Features:

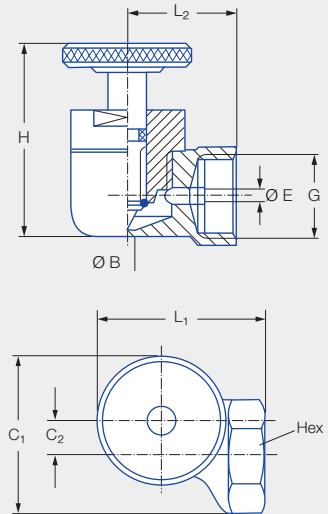
- Uniform atomization
- Clog-resistant nozzle without swirl insert
- Adjustable flow rate

Applications:


- Humidification in air washers
- Dust control
- Spraying onto filters
- Foam control
- Cooling



Series 308



G	Dimensions [in]						Weight [lb]
	C ₁	C ₂	H	L ₁	L ₂	Hex (mm)	
3/8 BSPP	1.34	0.31	1.57	1.42	0.91	22	0.33

Spray angle	Ordering number		Bore diameter B [in]	Narrowest free cross section Ø [in]	\dot{V}_{\max} water [gal/min]							Spray diameter D [in] (at p = 30 psi)	
	Type	Mat. no.			p [psi]								
		30			5		10		15		30		
		Brass											
90°	308.466	●	0.08	0.08	0.15	0.22	0.27	0.38	1.40	0.59	0.83	17	33
	308.606	●	0.16	0.16	0.35	0.49	0.60	0.85	3.15	1.34	1.86	18	33

Conversion formula for this series: $\dot{V}_2 = \dot{V}_1 \cdot \sqrt{\frac{p_2}{p_1}}$

Ordering Type + Material no. = Ordering no.
 example: 308.466 + 30 = 308.466.30



Assembly accessories can be found in Chapter 12 "Accessories".