



Tongue-type nozzles

Series 688 / 689



Hard, sharp flat fan, narrowly delimited jet pattern. Non-clogging.

Applications:

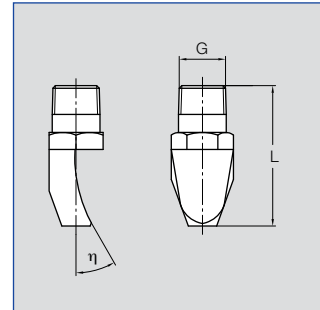
Cleaning, pickling, rinsing, cross spray, requiring powerful and concentrated water jets.




Mat. no. 17
(\sphericalangle 45°)



Mat. no. 5E
(\sphericalangle 45°)



Spray angle 	η	Ordering no.					Orifice diameter [in]	Flow Rate (Gallons Per Minute)			Dimensions						Spray width B	
		Type	Mat. no.		Connection			L [in]			Hex [in]			at p=30 psi				
			17 ¹	5E	Male NPT			R	R	R	R	R	R	H=10"	H=20"			
			AISI 316Ti/ AISI 316L	PVDF	3/8"	3/4"		10 psi	liters per minute	80 psi	3/8	1/2	3/4	3/8	1/2	3/4	3	5
15°	9°	689. 001	○	-	-	BK	.236	5.88	31.50	13.16	-	-	5.55	-	-	1.06	3	5
	9°	689. 121	○	-	-	BK	.339	11.77	63.00	26.31	-	-	168	-	-	1.06	3	5
45°	35°	688. 763	○	-	BE	-	.118	1.50	8.00	3.34	1.65	-	-	.75	-	-	9	17
	29°	688. 923	○	-	BE	-	.189	3.74	20.00	8.35	2.30	-	-	.87	-	-	9	17
	35°	689. 003	○	-	BE	BK	.236	5.88	31.50	13.16	2.56	-	2.89	.96	-	1.06	10	19

¹We reserve the right to deliver AISI 316Ti or AISI 316L under the material no. 17.

Other types on request.

Example of ordering: Type **688. 763** + Material no. **17** + Conn. **BE** = Ordering no. **688. 763. 17. BE**