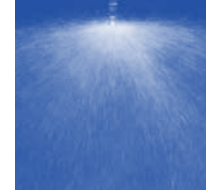




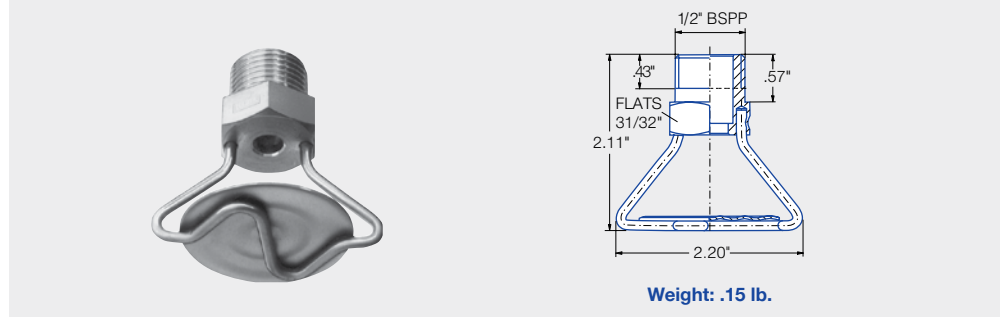
Deflector-plate nozzle Series 524/525/500.542



Full cone spray. Non clogging nozzle without swirl insert.

Applications:

Fire fighting and broadcast spraying, wide area spray.



Spray angle	Ordering no.			Orifice diam. (in.)	Flow Rate (Gallons Per Minute)									Spray Diameter D (ft.) @ 45 psi	
	Type	Material no.			10 psi	20 psi	2 bar	40 psi	60 psi	80 psi	100 psi	150 psi	H=40"	H=120"	
		Connection: 1/2" Male BSPP	316 SS 17 ¹												Brass 30
180°	524. 809	○	○	.158	1.6	2.2	10	3.1	3.8	4.4	4.9	6.0	18	21	
	525. 049	○	○	.315	6.2	8.8	40	12.4	15.2	17.6	19.6	24	33	43	
	525. 109	-	○	.366	8.8	12.5	57	17.7	22	25	28	34	33	44	
	525. 169	-	○	.429	12.6	17.8	81	25	31	36	40	49	35	44	
	525. 229	-	○	.481	17.4	25	112	35	43	49	55	67	22	34	
	525. 269	○	○	.485	22	31	140	43	53	61	69	84	17	33	

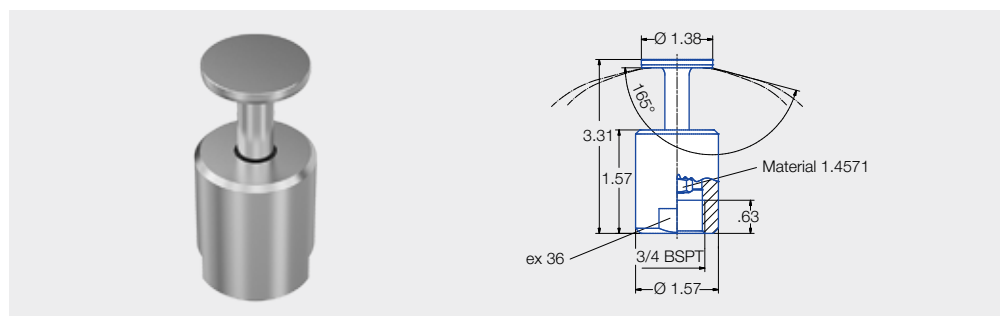
¹ We reserve the right to deliver 316Ti SS or 316L SS under the Material no. 17.
B = bore diameter

Version with dust protection cap on request.

Example	Type	+	Material-no.	=	Ordering no.
of ordering:	524.809	+	30	=	524.809.30

Deflector-plate nozzle for protection of ship walls against flames and heat, e.g. fire-fighting boats, deep-sea salvage tugs.

The backwards-directed spray jet allows effective cooling of the ship walls and minimizes losses due to wind drift. Thanks to the robust design without moving parts, this nozzle is an inexpensive alternative to pop-out deflector-plate nozzles.



Spray angle	Ordering no.	Flow Rate [gal/min]	Length [in]	Diameter [in]
	Type	p [psi]		
		100 psi		
140°	500.542	15.73	3.31	1.57

Materials on request