



Tongue-type nozzle Series 600.471/472

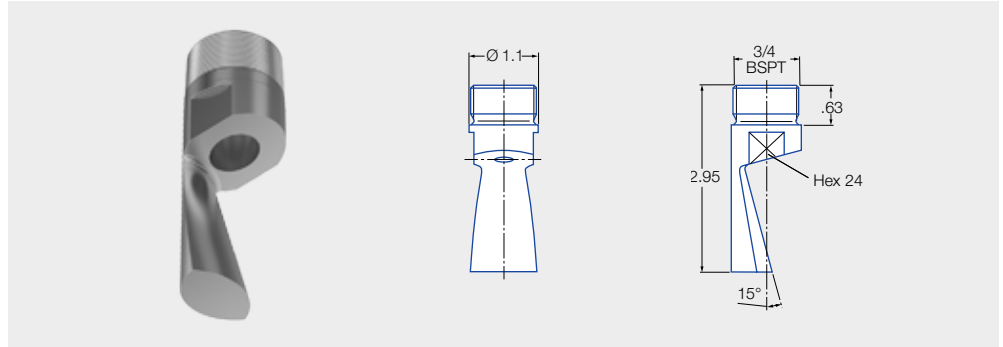



- Flat fan tongue-type nozzle for NBC protection with convex geometry. A tunnel-shaped spray pattern is produced by the special shape of the tongue.
- Clog-resistant

Applications:

Cleaning NBC contamination on superstructures and objects, rocket launchers and guns.

The nozzles are also part of the CamouSpray system for cooling superstructures and objects in order to reduce the IR signature.



Spray angle 	Ordering no.	Material no.	Connection	Flow Rate (gal/min)	Length [in]	Diameter [in]
	Type	17 316Ti SS		120 [psi]	L	D
30°	600.471.17.00	○	3/4 BSPP	10.57	2.95	1.10
45°	600.471.17.01	○	3/4 BSPP	26.42	2.95	1.10
	600.471.17.11	○	3/4 NPT	26.42	2.95	1.10
	600.472.17.30	○	3/4 BSPT	81.37	2.95	1.06