

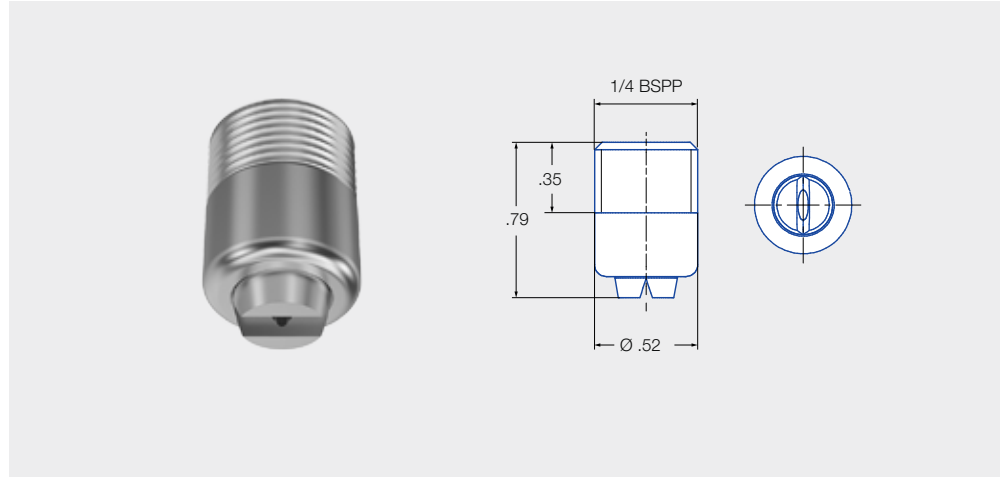



# Polished flat fan nozzles Series 600.577

**These compact flat fan nozzles are ideal for a concealed installation. There are no rough surfaces or edges in order to guarantee an optimum aesthetic design.**

**Applications:**

Window cleaning, preferably in yacht construction.



Spray angle 	Ordering no.	Mat. No.	Flow Rate (Gallons Per Minute)	Length [in]	Diameter [in]	Thread BSPP
	Type	17 316Ti SS	30 psi			
45°	<b>600.577.17.11</b>	○	1.06	.79	.48	G 1/4 A
120°	<b>600.577.17.10</b>	○	1.06	.79	.52	G 1/4 A
140°	<b>600.577.17.00</b>	○	1.25	.79	.48	G 1/4 A

All flow rates in accordance with page 48 possible on request  
**Other materials on request**