

Rotating cleaning nozzle HygienicWhirly Series 594/595



Features:

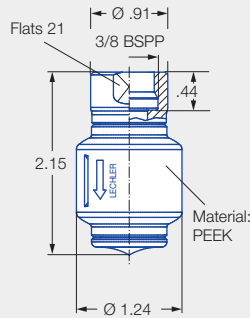
- Cleaning with highly effective flat jets
- Good cleaning effect even at low pressure
- Suitable for the application of foam



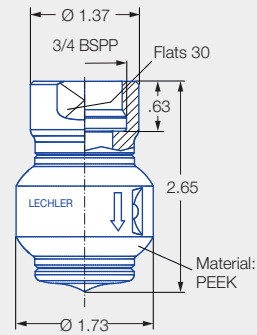
FDA



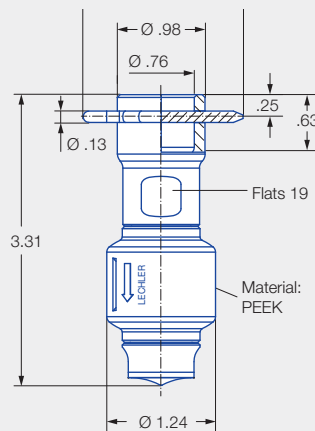
Series 594/595



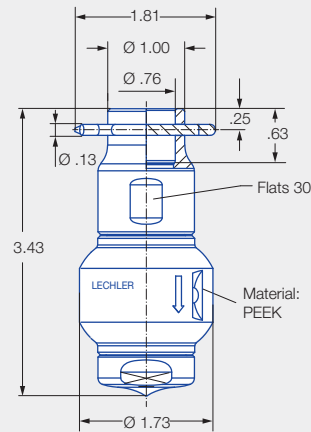
Standard version/Female thread
59x.xx9.1Y.AF



Standard version/Female thread
595.139.1Y.AL



Dimension of the slip-on
connection according to
ASME-BPE (OD tube)
59x.xx9.1Y.67



Dimension of the slip-on
connection according to
ASME-BPE (OD tube) 595.139.1Y.67





 Max. tank diameter [ft]	0	5	10	15	20	25
---	---	---	----	----	----	----

Technical data:



Maximum operating temperature
302 °F



Maximum ambient temperature
302 °F



Installation
Operation in every installation position



Bearing
Slide bearing made of PEEK



Material
Stainless steel 1.4404 (316L), PEEK, version with slip-on connection: O-ring made of EPDM



Weight
3/8" 0.21 lbs
3/4" 0.05 lbs



Surface quality
Ra ≤ 0.8 µm
OUTSIDE



Surface quality
Ra ≤ 0.8 µm
INSIDE



Steam suitability
Suitable



Insertion diameter
1.24–1.89 in



Recommended filter
Line strainer with a mesh size of 0.3 mm/50 mesh




Recommended operating pressure
45 psi

Function video

www.lechler.com/hygienicwhirly

Or scan the QR code.



Spray angle	Ordering number				Narrowest free cross section Ø [in]	V̇ water [gal/min]						Max. tank diameter [ft]
	Type	Connection				p [psi] (p _{max} = 75 psi)						
		3/8" Female BSPP	3/4" Female BSPP	3/4" slip-on		7	15	30	45	Liters per min. 3 bar	75	
360° 	594.829.1Y	AF		67	0.07	1.48	2.17	3.07	3.76	14	4.86	2
	594.879.1Y	AF		67	0.10	1.91	2.79	3.95	4.84	18	6.24	4
	595.009.1Y	AF		67	0.16	4.13	6.05	8.55	10.48	39	13.53	5
	595.049.1Y	AF		67	0.17	5.19	7.60	10.75	13.16	49	17.00	6
	595.139.1Y		AL		67	2.00	8.69	12.72	17.99	22.03	82	28.44

NPT thread available on request.

The maximum tank diameter applies to the recommended operating pressure and is meant as a recommendation only. The cleaning result is also affected by the type of soiling.

Compressed air should be used for dry blowing for a short time only. Operation above the recommended operating pressure has a negative impact on the cleaning result and wear.

Information about slip-on connections

- Pin made of stainless steel 316L supplied (Ordering no.: 095.022.1Y.50.94.E).
- Depending on the diameter of the adapter, the flow rate can increase due to a leakage between the adapter and the rotating cleaning nozzle.

Ordering	Type	+	Code	=	Ordering no.
example:	594.829.1Y	+	AF	=	594.829.1Y.AF