

Rotating cleaning nozzle MiniSpinner 2 Series 5M3



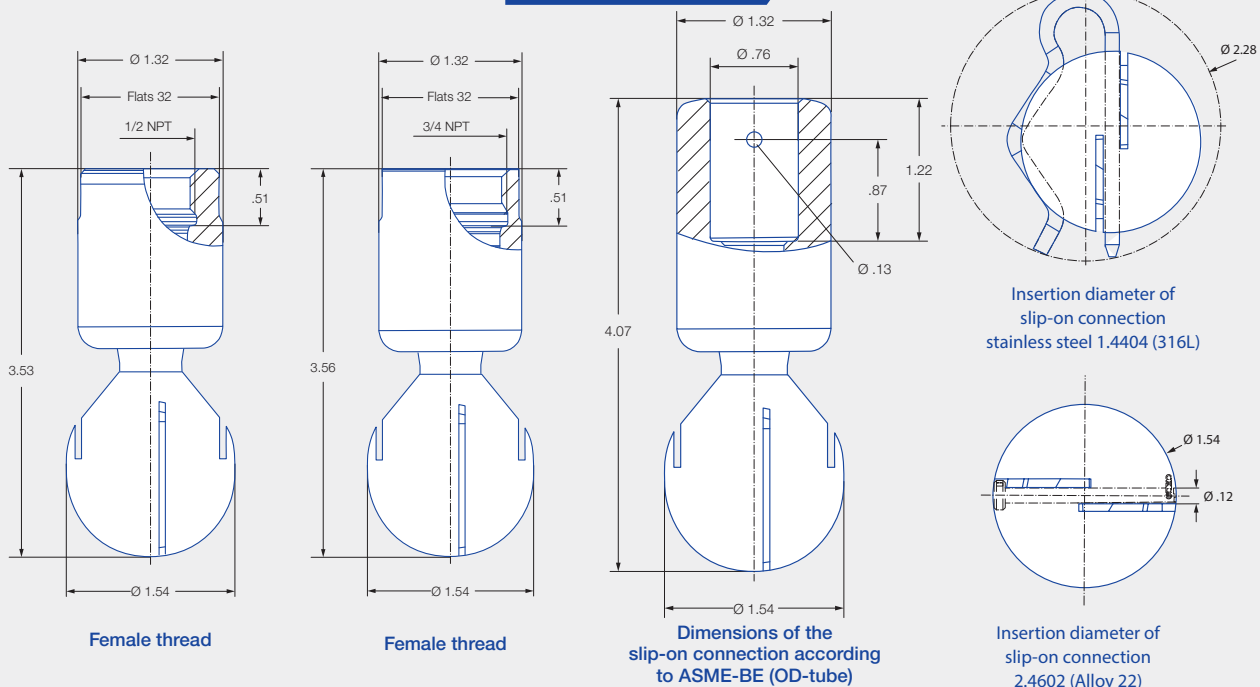
Features:

- Hygienic design
- Suitable for high temperatures
- Made entirely of stainless steel



**ATEX version
available on request**

Series 5M3



Max. tank diameter [ft]	0	1	2	3	4	5	6	7	8	9
-------------------------	---	---	---	---	---	---	---	---	---	---

Technical data:



Maximum operating temperature
392 °F
203 °F (ATEX)



Maximum ambient temperature
482 °F
392 °F (ATEX)



Installation
Operation in every installation position



Bearing
Double ball bearing made of stainless steel 1.4404 (316L) or 2.4602 (Alloy 22)



Material
Stainless steel 1.4404 (316L) or 2.4602 (Alloy 22)



Weight
Threaded 0.55 lbs
Slip-on 0.75 lbs



Surface quality
 $Ra \leq 0.4 \mu m$
OUTSIDE



Surface quality
 $Ra \leq 0.8 \mu m$
INSIDE



Steam suitability
Conditionally suitable



Insertion diameter
1.54–2.28 in



Recommended filter
Line strainer with a mesh size of 0.1 mm/170 mesh



Recommended operating pressure
30 psi




Adapter
1/2 BSPP and 3/4 BSPP are compatible with HygienicFit

Function video
www.lechler.com/de-en/medialibrary
Or scan the QR Code.





Spray angle	Ordering number				Narrowest free cross section \varnothing [in]	\dot{V} water [gal/min]				Max. tank diameter [ft]
	Type	Connection				p [psi] ($p_{max} = 100$ psi)				
		1/2" Female NPT	3/4" Female NPT	3/4"- Slip-on		15	30	Liters per min. 2 bar	45	
60° 	5M3.122.1Y	BH		TF07	0.102	11.97	16.93	63	20.73	–
180° 	5M3.133.1Y		BL	TF07	0.047	12.73	18.00	67	22.05	8
180° 	5M3.134.1Y		BL	TF07	0.051	12.73	18.00	67	22.05	8
360° 	5M3.999.1Y		BL	TF07	0.016	5.70	8.06	30	9.87	5
	5M3.089.1Y		BL	TF07	0.028	9.31	13.16	49	16.12	6
	5M3.139.1Y		BL	TF07	0.031	13.11	18.54	69	22.70	7
	5M3.209.1Y		BL	TF07	0.059	19.00	26.87	100	32.90	8

BSPP thread, weld-on and further slip-on versions on request.

The max. tank diameter shown above applies for the recommended operating pressure and has to be seen as a recommendation. The cleaning result is also affected by the type of soiling.

Operating with compressed air only for short-term usage. Operation above the recommended operating pressure has negative effects on the cleaning result and wear.

Information slip-on connection

- Pin made of stainless steel 316L included (Ordering no. 05M.330.1Y.00.00.0).
- Depending on diameter of the adapter, the flow rate increase due to leakage between connecting pipe and rotating cleaning nozzle.
- Minimum insertion diameter (with mounted pin) is 2.32 in.

Example of ordering:	Type	+	Connection	=	Ordering no.
	5M3.122. 1Y	+	BH	=	5M3.122.1Y.BH