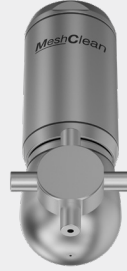


# High impact cleaner MeshClean Series 5T2/5T3



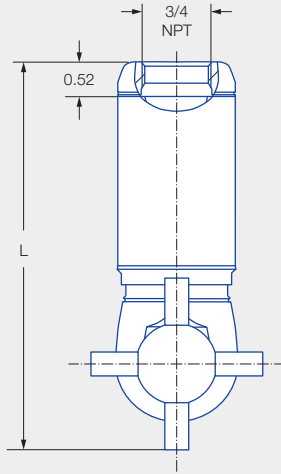
### Features:

- High degree of effectiveness due to particularly powerful solid stream nozzles
- Suitable for smaller tanks with stubborn dirt
- Active self-cleaning due to engineered nozzle design
- Low maintenance

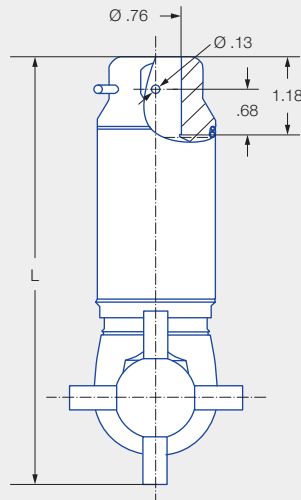


**ATEX version  
available on request**

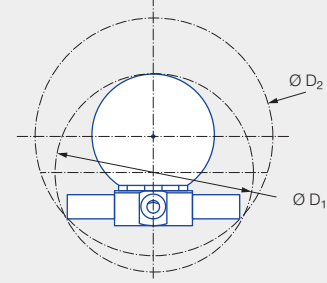
Series 5T2/5T3



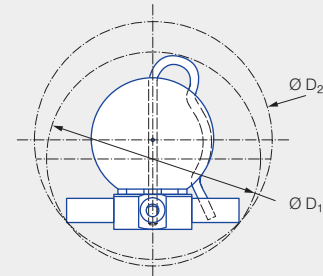
Female thread



Dimensions of the  
slip-on connection according  
to ASME-BE (OD-tube)



Insertion diameter  $D_1$  and  
interference circle diameter  $D_2$   
of the threaded connection



Insertion diameter  $D_1$  and  
interference circle diameter  $D_2$   
of the slip-on connection






 <b>Max. Tank diameter [ft]</b>	0	15	30	45	60
--	---	----	----	----	----

**Technical data:**

 <b>Maximum operating temperature</b> 302 °F 302 °F (ATEX)	 <b>Maximum ambient temperature</b> 302 °F 302 °F (ATEX)	 <b>Installation</b> Operation in every installation position	 <b>Bearing</b> Ball bearing
 <b>Material</b> Stainless steel 1.4404 (316L), PTFE, PEEK, EPDM	 <b>Weight</b> 2.2 lbs	 <b>Surface quality</b> Ra ≤ 0.8 µm <small>OUTSIDE</small>	 <b>Surface quality</b> Ra ≤ 1.6 µm <small>INSIDE</small>
 <b>Steam suitability</b> Suitable	 <b>Insertion diameter</b> 2.68–3.23 in	 <b>Recommended filter</b> Line strainer with a mesh size of 0.2 mm/80 mesh	 <b>Recommended operating pressure</b> 75 psi
 <b>Adapter</b> 3/4 BSPP is compatible with HygienicFit	 <b>Rotation monitoring</b> Sensor-compatible, information: see pages 96–97	 <b>Maintainable</b>	

**Function video**  
[www.lechler.com/de-en/medialibrary/videos-general-industry](http://www.lechler.com/de-en/medialibrary/videos-general-industry)  
 Or scan the QR code.



Spray angle	Ordering number			Narrowest free cross section Ø (in)	Number Ø Nozzles (mm)	V̇ water [gal/min]				Dimensions [in]						Max. tank diameter [ft]
	Type	Connection				p [psi] (p <sub>max</sub> = 218 psi)				Female thread			Slip-on connection			
		3/4" Female NPT	3/4"-Slip-on			30	75	Liters per min. 5 bar	75 psi [SCFM]	L	Ø D <sub>1</sub>	Ø D <sub>2</sub>	L	Ø D <sub>1</sub>	Ø D <sub>2</sub>	
	<b>5T2.849.1Y</b>	<b>BL</b>	<b>TF07</b>	.067	4 x 1.75	3.40	<b>5.37</b>	<b>20</b>	0.7	5.59	2.68	3.23	6.18	3.03	3.23	37
	<b>5T2.969.1Y</b>	<b>BL</b>	<b>TF07</b>	.106	4 x 2.70	6.80	<b>10.57</b>	<b>40</b>	1.4	5.59	2.68	3.23	6.18	3.03	3.23	39
	<b>5T3.029.1Y</b>	<b>BL</b>	<b>TF07</b>	.126	4 x 3.20	9.35	<b>14.78</b>	<b>55</b>	1.9	5.59	2.68	3.23	6.18	3.03	3.23	41
	<b>5T3.089.1Y</b>	<b>BL</b>	<b>TF07</b>	.157	4 x 4.00	13.42	<b>21.22</b>	<b>79</b>	2.8	5.83	2.91	3.58	6.42	3.23	3.58	42

BSPP connection available on request.

The maximum tank diameter applies to the recommended operating pressure and is meant as a recommendation only. The cleaning result is also affected by the type of soiling.

**Information about slip-on connections**

- Pin made of stainless steel 316L supplied (Ordering no.: 095.022.1Y.50.60.E).
- Depending on the diameter of the adapter, the flow rate can increase due to a leakage between the adapter and the rotating cleaning nozzle.