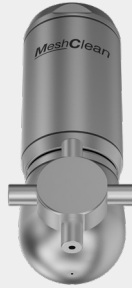


High impact cleaner MeshClean Series 5T2/5T3

Features:

- High degree of effectiveness due to particularly powerful solid stream nozzles
- Suitable for smaller tanks with stubborn dirt
- Active self-cleaning due to special nozzle geometry
- Especially low maintenance



Function video
www.lechler.com/de-en/medialibrary/videos-general-industry
 Or scan the QR code.



**ATEX version
on request**

Series 5T2/5T3

Technical data:



Max. operating temperature
 302 °F
 302 °F (ATEX)



Max. ambient temperature
 302 °F
 302 °F (ATEX)



Installation
 Operation in every direction is possible



Bearing
 Ball bearing



Material
 Stainless steel 1.4404 (316L), PTFE, PEEK, EPDM



Weight
 2.2 lbs



Surface quality
 $Ra \leq 0.8 \mu m$



Surface quality
 $Ra \leq 1.6 \mu m$



Steam suitability
 Suitable



Insertion diameter
 2.68-3.23 in



Filtration
 Line strainer with a mesh size of 0.2 mm/80 Mesh



Recommended operating pressure
 75 psi



Adapter
 3/4 BSPP is compatible with HygienicFit



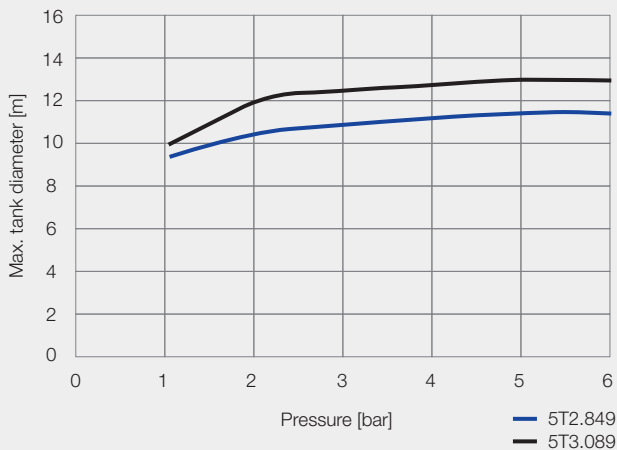
Rotation monitoring
 Sensor compatible



Maintainable



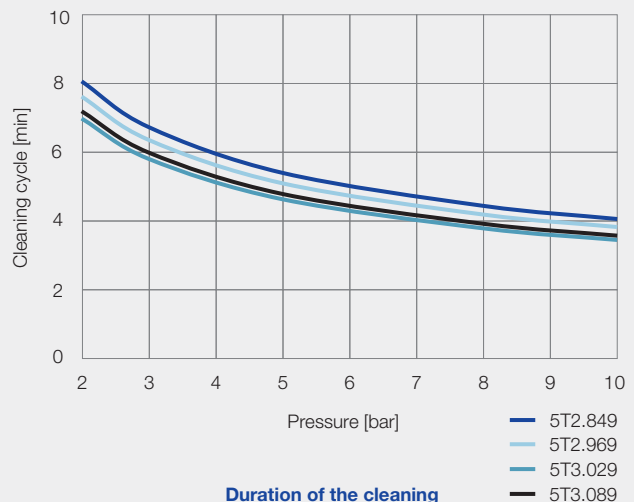
Max. tank diameter
 The max. tank diameter shown above applies for the recommended operating pressure and has to be seen as a recommendation. The cleaning result is also affected by the type of soiling.



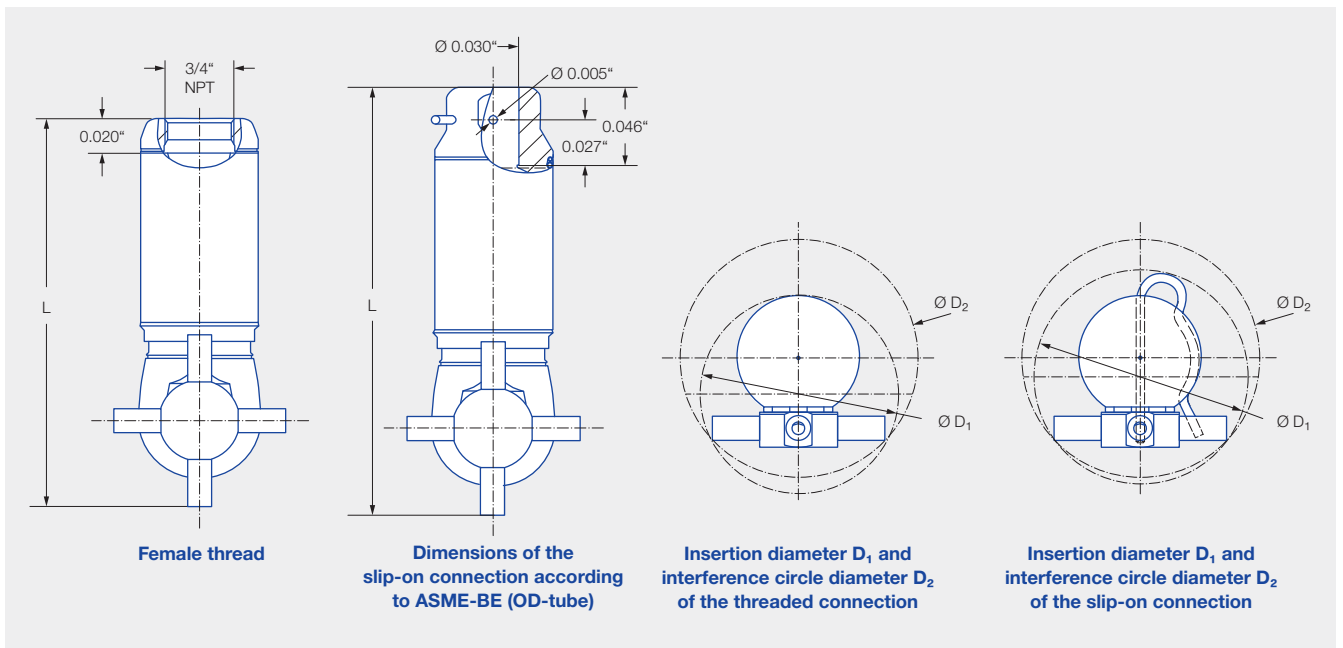
Overview of the maximum tank diameter in relation to the pressure




Duration of cleaning cycle



Duration of the cleaning cycle in relation to the pressure



Spray angle	Ordering number			Narrowest free cross section \varnothing (in)	Number \varnothing nozzles (mm)	\dot{V} water [gal/min]				Dimensions [in]						Max. tank diameter [ft]
	Type	Connection				p [psi] ($p_{max} = 218$ psi)				Female thread			Slip-on connection			
		3/4" female NPT	3/4" Slip-on			30	75	Liters /min 5 bar	at 75 psi [SCFM]	L	$\varnothing D_1$	$\varnothing D_2$	L	$\varnothing D_1$	$\varnothing D_2$	
 360°	5T2.849.1Y	BL	TF07	0.067	4 x 1.75	3.43	0.79	20	0.7	5.59	2.68	3.23	6.18	3.03	3.23	37
	5T2.969.1Y	BL	TF07	0.106	4 x 2.70	6.80	10.57	40	1.4	5.59	2.68	3.23	6.18	3.03	3.23	39
	5T3.029.1Y	BL	TF07	0.126	4 x 3.20	9.35	14.78	55	1.9	5.59	2.68	3.23	6.18	3.03	3.23	41
	5T3.089.1Y	BL	TF07	0.157	4 x 4.00	13.42	21.22	79	2.8	5.83	2.91	3.58	6.42	3.23	3.58	42