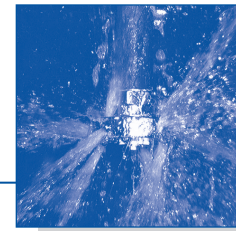




Heavy duty, high capacity Gyro – Simple design for hard work Series 577



The largest capacity free spinning designs, the Gyro family is the high capacity work horse of tank cleaning nozzles.

- Our highest flow rates of all our tank cleaning nozzles
- High cleaning performance at low pressures
- Simple design works in difficult situations
- PTFE bearings easily replaced to extend the service life
- Free spinning, self-lubricating, and self-flushing
- All materials used are FDA Compliant (see page 109)

Applications

For medium to large tanks, e.g., grain processing, ethanol fermenters, paper machine headboxes, chemical storage, breweries

Max. tank diameter:

1" inlet-rinsing	25 ft.
1" inlet-cleaning	12 ft.
2" inlet-rinsing	30 ft.
2" inlet-cleaning	15 ft.
3" inlet-rinsing	40 ft.
3" inlet-cleaning	20 ft.

Operating pressure:

20 – 50 psi, max. 65 psi

Max. fluid temperature*:

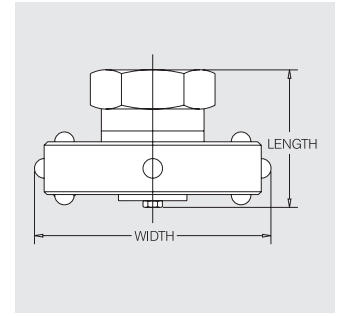
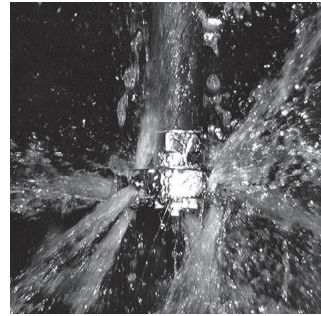
200°F

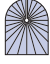
Weight:

1"	1.65 lb.
2"	4 lb.
3"	8 lb.

Materials:

- Body: 316 stainless steel
- Bearing: PTFE



Spray Angle	Ordering no.				Flow Rate (Gallons Per Minute)				Length (in.)	Maximum Width (in.)
	Type	Connection			20 psi	40 psi	60 psi	litres per minute 2 Bar		
		1" Female NPT	2" Female NPT	3" Female NPT						
360° 	577. 289. 17	BN	-	-	35	50	61	161	2.7	4.6
	577. 369. 17	BN	-	-	57	80	98	258	2.7	4.6
	577. 439. 17	-	BW	-	85	120	147	387	4.0	5.9
	577. 499. 17	-	BW	-	120	170	208	548	4.0	5.9
	577. 569. 17	-	-	MB	177	250	306	806	4.6	7.4

Please note: We do not recommend operation of these products with compressed air, steam, or gases. To protect the products' inner workings, we suggest use of a line strainer with a 200 mesh size. For further information, please contact Lechler.

Rebuild kit:

The PTFE bearings and other wear parts can be replaced easily to extend the life of the unit. A rebuild kit contains: Bearing sleeves, bolt, nut, spacer, and complete instructions.

Size	Product code
1"	057.701.55.000
2"	057.702.55.000
3"	057.703.55.000

For additional spray angles and nozzle sizes, please request our "Tank Cleaning Nozzles" brochure.



* Contact Lechler for maximum ambient temperature.