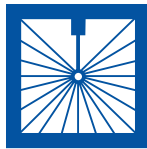
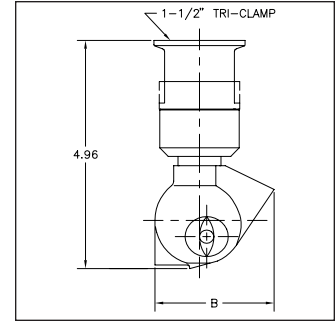
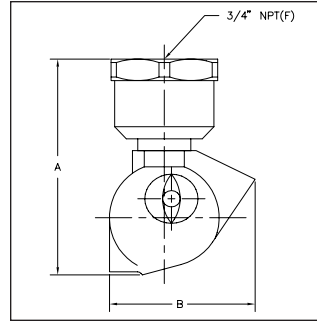
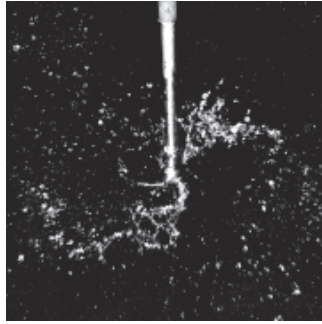


# TANK WASHING



## STAINLESS STEEL WHIRLING NOZZLES

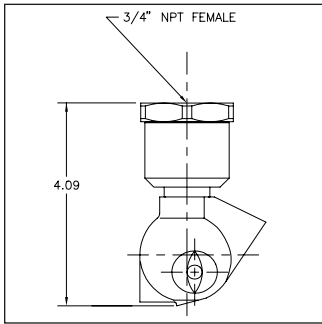
Thorough washing: 8-10 feet in diameter  
Rinsing: 25-30 feet in diameter



### Stainless Steel Whirling Tank Washing Nozzles

For small to medium vessels, you can't beat the Whirling Nozzle series. The combination of flat fan nozzles and the rotating action gives a gentle, thorough cleaning to the entire interior with no gaps in the coverage. Polished stainless steel construction resists contaminant buildup. Self flushing bearings and self draining heads permit permanent installation in many cases.

All are available with 3/4" female NPT or 1.5" Tri-Clamp® compatible inlet. Ask if you need something special for your application.

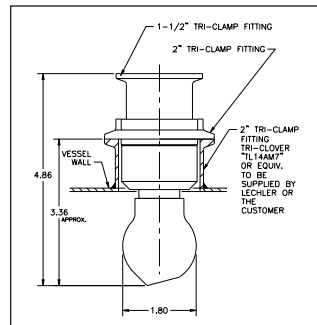
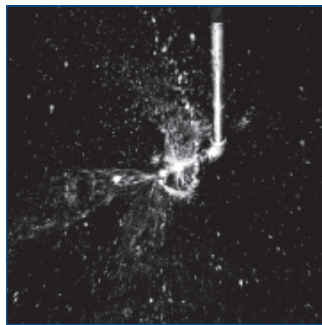


	Spray Angle	Product Codes for Ordering			Flow Rate (Gallons Per Minute)				Dimensions (Inches)	
		Nozzle Type	Inlet Connection		20 psi	L/M 2bar	40 psi	60 psi	A	B
	180°	<b>567.205.17</b>	BL	15	26	120	37	45	3.85	2.59
		<b>567.275.17</b>	BL	15	33	148	46	56	3.85	2.59
	180°	<b>569.115.17</b>	BL	15	14	66	20	25	3.85	2.59
		<b>569.205.17</b>	BL	15	26	120	37	45	3.85	2.59
		<b>569.275.17</b>	BL	15	40	181	56	68	3.85	2.59
	270°	<b>*566.968.17</b>	BL	15	6	29	9	11	3.85	2.59
		(*300° up)	BL	15	14	66	20	25	3.85	2.59
		<b>567.116.17</b>	BL	15	26	120	37	45	3.85	2.59
		<b>567.206.17</b>	BL	15	33	148	46	56	3.85	2.56
	270°	<b>*568.968.17</b>	BL	15	5	22	7	8	3.69	1.80
		(*300° down)	BL	15	13	58	18	22	3.69	1.80
	360°	<b>567.009.17</b>	BL	15	7	32	10	12	3.85	2.59
		<b>567.119.17</b>	BL	15	13	58	18	22	3.85	2.59
		<b>567.209.17</b>	BL	15	23	102	32	37	3.85	2.59
		<b>567.279.17</b>	BL	15	33	148	46	56	3.85	2.59

### New! Special Dual Race Bearing

If you need to mount a tank washer in an odd position where it can't hang straight down, use the new Dual Race Whirling Nozzle. This special bearing configuration allows mounting at any angle from straight down to straight up, and can be added to any of the stainless Whirling Nozzles. The easy rotating head can operate at as little as 10 psi in any position. Add DR to the end of your part number to specify the Dual Race bearing assembly. The same 3/4" and Tri-Clamp® compatible inlets are available.

APPROXIMATE WEIGHT: 1.25 lbs. Tri-Clamp — 1.66 lbs.



The 270° down units can be made in a special wall mount, designed to attach to a 2" Tri-Clamp® tank spud. Order 568.968.17.15.20 or 569.117.17.15.20 for this special version. All other operating characteristics are the same.

Tri-Clamp® is a trademark of Tri-Clover, Inc.

### Ordering Information:

Type + Material Code + Connection Code = Order No.

567. 205 17 BL 567. 205. 17. BL

### Material Code:

17 316 SS

