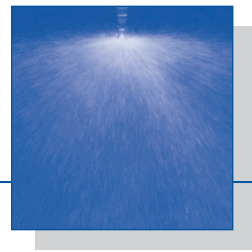




Deflector-plate nozzles

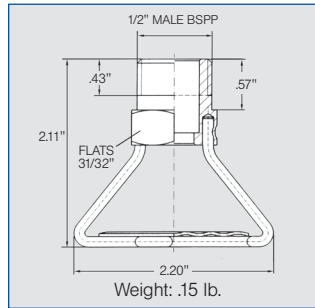
Series 524 / 525



Full cone spray. Has no swirl insert for greater clog resistance.

Applications:

- Fire fighting
- Broadcast spraying
- Wide area spraying



Full cone

Spray angle	Ordering no.			Orifice diam. (in.)	10 psi	Flow Rate (Gallons Per Minute)							Spray Diameter D (ft.) @ 45 psi ca.	
	Type	Material no.				20 psi	2 bar	40 psi	60 psi	80 psi	100 psi	150 psi	H=40"	H=120"
		316 SS 17	Brass 30											
180°	524. 809	○	○	.158	.48	.68	3.1	.96	1.2	1.4	1.5	1.9	18	21
	525. 049	○	○	.315	1.9	2.7	12.4	3.9	4.7	5.4	6.1	7.5	33	43
	525. 109	-	○	.366	2.7	3.8	17.4	5.4	6.6	7.6	8.5	10.4	33	44
	525. 169	-	○	.429	3.8	5.4	25	7.7	9.4	10.9	12.2	14.9	35	44
	525. 229	-	○	.481	5.4	7.6	35	10.8	13.2	15.2	17.0	20.9	22	34
	525. 269	○	○	.485	6.7	9.5	43	13.5	16.5	19.1	21	26	17	33

Example **Type** **+** **Material no.** **=** **Ordering no.**
for ordering: **525. 049** **+** **30** **=** **525. 049. 30**

* The following Lechler deflector-plate nozzles – 525.049, 525.109, and 525.169 – have been VDS-approved. The VDS registration number for all three nozzles is A 4870876.