



Air nozzles

Air curtains
Blowing off and out
Cleaning
Cooling
Drying
Reheating
Transporting
and many others...





As a rule, any flat fan or solid stream nozzle can be operated with air instead of liquid. However, you'll obtain the best results using the nozzle designs we specifically engineered for compressed air or saturated steam applications. Typical applications for Lechler air nozzles include blowing off or out, cooling, drying, or cleaning.

The problem: noisy air sprayers

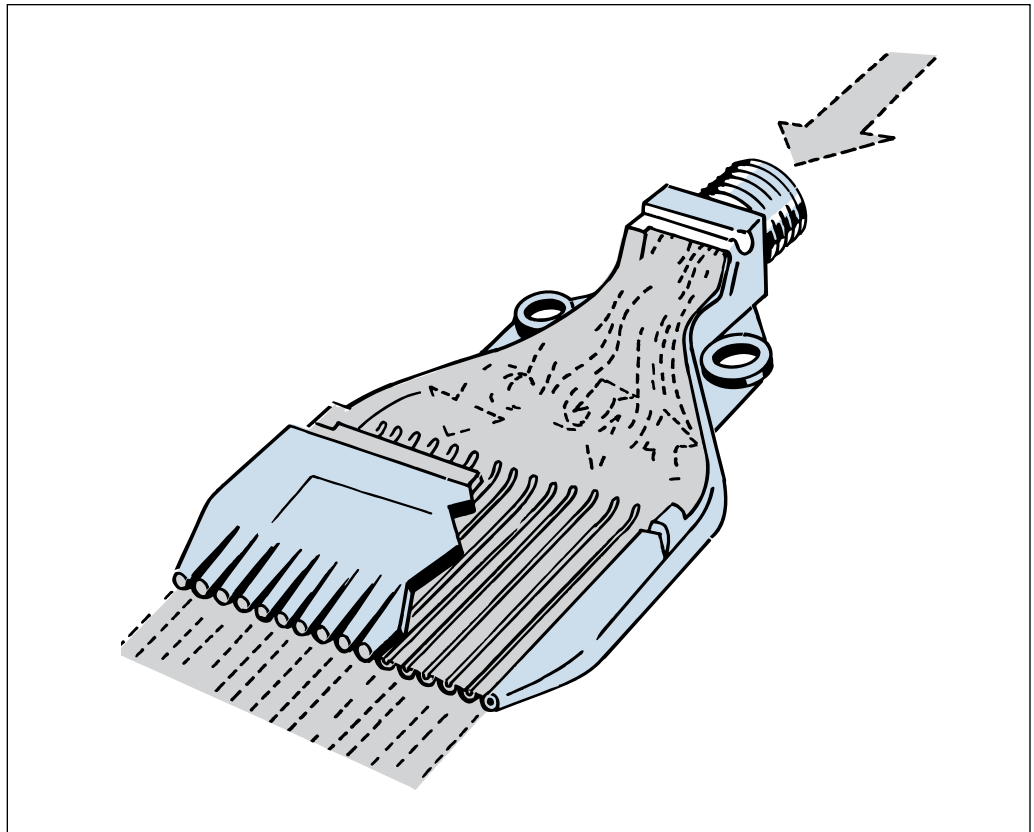
In many industries and workshops, compressed air is an indispensable tool.

Compressed air is needed for cleaning, drying, blowing off, and many other applications.

Typically, when uncontrolled compressed air is used, annoying, high-frequency hissing noises occur, which can affect or even harm hearing. These "noises" are produced by turbulences generated at the air outlet. Their intensity depends on the shape of the nozzle orifice and on the amount of inlet air pressure. Therefore, the stronger the output air jet needs to be, the higher the noise level, air consumption, and cost as a result.

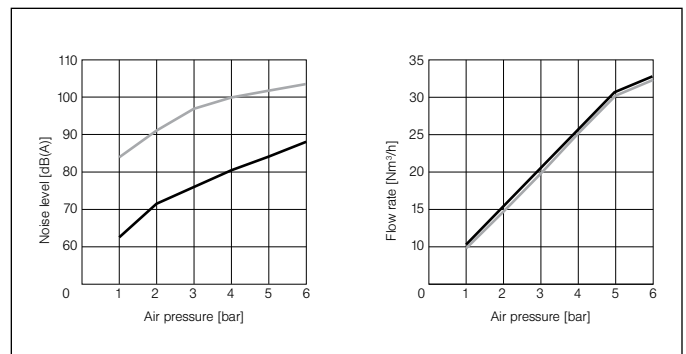
The solution: Lechler multi-channel air nozzles, featuring a significantly reduced sound level, high blowing power, and low air consumption.

The performance of multi-channel air nozzles is based on partitioning the air inflow into single air jets. A total of 16 air channels, arranged to ensure optimum flow conditions, provides for a uniform, straight, and powerful overall air jet.



In comparison to single-hole air nozzles, the advantages are as follows:

- Reduction of the noise level by up to 12 dB
- Lower inlet air pressure with the same blowing force
- Lower air consumption
- Better blowing effect over a greater distance
- Lower operating costs



Comparison of a conventional, single-hole nozzle with the Lechler multi-channel round jet nozzle type 600.326

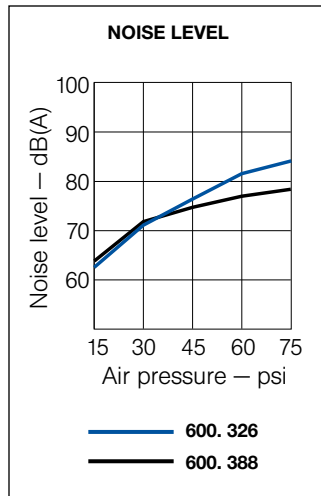
- Lechler multi-channel round jet nozzle
- Conventional single-hole nozzle



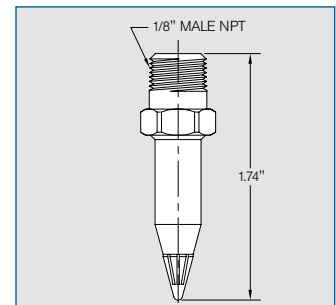
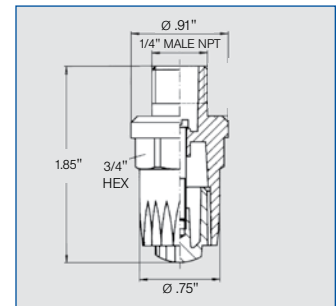
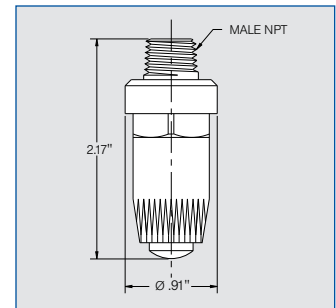
WHISPERBLAST® compressed air nozzles

Round Series 600

Provides focused blasting power with minimal air consumption and noise. Round configuration excellent for spot blasting, clearing holes, or use on hand guns.



Round WHISPERBLAST gives a focused blast with low air consumption. Best for hand gun use.



Type	Ordering no.			Description	Capacity for Air (Standard Cubic Feet per Minute)					Approx. Wt. (lb.)	Max. Pressure	Max. Temp. °F	
	Material no.		Connection		15 psi	30 psi	45 psi	60 psi	75 psi				
	Brass 30	ABS 5K	Zinc 3W										Male NPT 1/8" 1/4"
600.326	○	○	-	BA BC	Round WHISPERBLAST	5.3	8.8	12.4	16.0	19.5	0.05	100 psi	120
600.326	-	-	○	- BC	Round WHISPERBLAST	5.3	8.8	12.4	16.0	19.5	0.10	100 psi	200
600.388	○	-	-	BA -	MiniBlast	3.0	4.6	6.2	7.8	9.4	0.14	100 psi	120

Example Type + Material no. + Conn. = Ordering no.
for ordering: 600.326 + 5K + BC = 600.326.5K.BC

Please see the Lances and Nozzle Headers section for various configurations to mount your WHISPERBLAST air nozzles beginning on page 141.



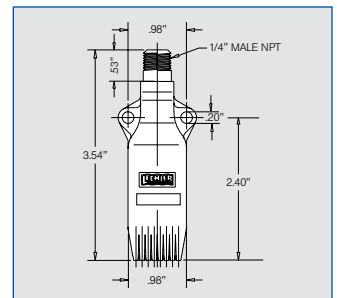
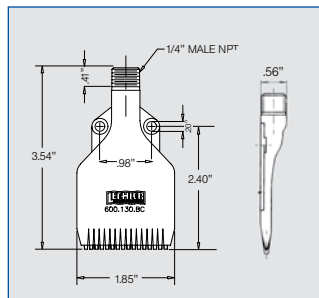
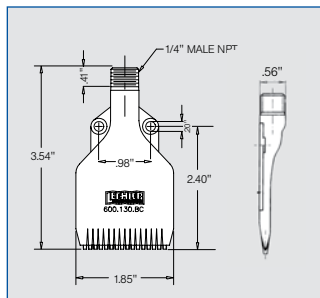
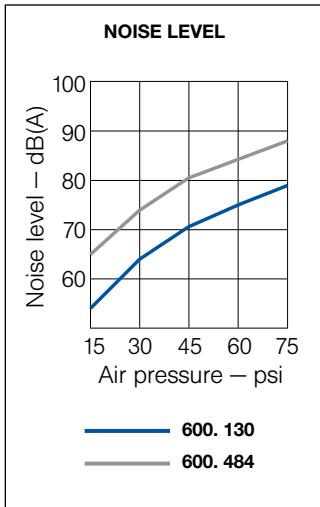
WHISPERBLAST® compressed air nozzles

Flat

Series 600 Plastic version

Provides focused blasting power with minimal air consumption and noise. Flat configuration can be used individually or side-by-side to create a very effective air knife.

NEW:
Polypropylene for the food industry
(FDA-conform material)



While standard plastic WHISPERBLAST nozzles come in a distinctive blue color, model 600.130.S2.BC is made from natural Polypro, a colorless material. Since no color dyes have been added to this model, it meets FDA requirements for use in food or pharmaceutical applications. See page 24.

Type	Ordering no.		Description	Accessories	Capacity for Air (Standard Cubic Feet per Minute)				Approx. Wt. (lb.)	Max. Pressure	Max. Temp. °F	
	Material no.	Connection			15 psi	30 psi	45 psi	60 psi				
	Natural PP S2	POM 56	1/4" Male NPT Hose Barb									
600.130	○	○	BC	-	Original flat WHISPERBLAST	6.5	10.8	14.9	19.1	.05	75 psi	120
600.130	-	○	-	01	Flat WHISPERBLAST (1/4" Male NPT) w/accessories	6.5	10.8	14.9	19.1	.05	75 psi	120
600.484	-	○	BC	-	Flat Mini-WHISPERBLAST	3.1	4.7	6.4	8.0	.03	75 psi	120

Example for ordering: **600.130** + **56** + **BC** = **600.130.56.BC**



Air nozzles

Please see the Lances and Nozzle Headers section for various configurations to mount your WHISPERBLAST air nozzles beginning on page 141.



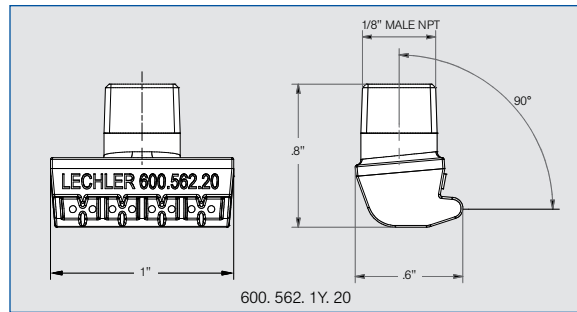
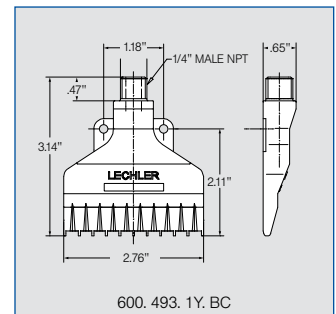
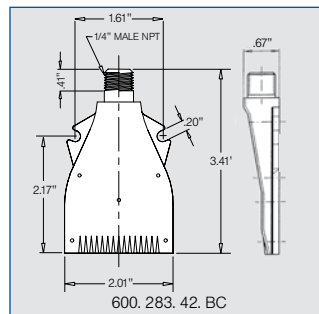
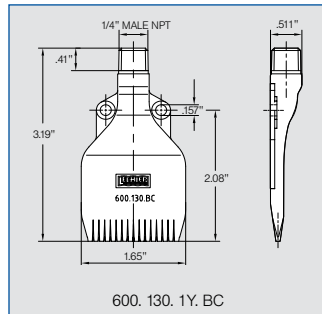
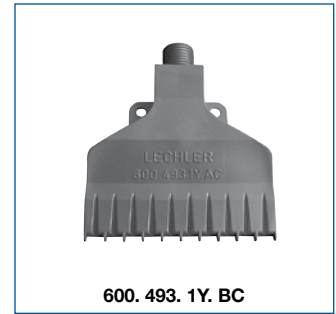
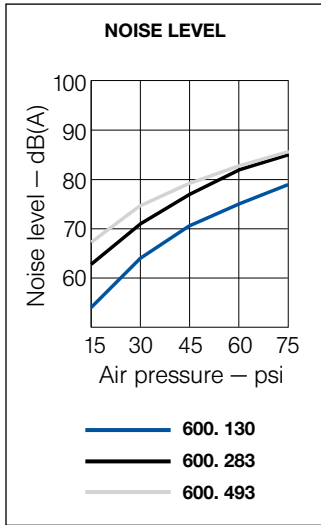


WHISPERBLAST® compressed air nozzles

Flat

Series 600 Metal version

Provides focused blasting power with minimal air consumption and noise. Flat configuration can be used individually or side-by-side to create a very effective air knife.



Type	Ordering no.		Connection	Description	Capacity for Air (Standard Cubic Feet per Minute)				Approx. Wt. (lb.)	Max. Pressure	Max. Temp. °F
	Material no.				15 psi	30 psi	45 psi	60 psi			
	316L SS 1Y	Aluminum 42									
600.130	○	-	- BC	Flat WHISPERBLAST	6.5	10.8	14.9	19.1	.05	75 psi	1000
600.283	-	○	- BC	Aluminum flat WHISPERBLAST	8.5	13.5	18.6	23.8	.14	120 psi	400
600.493	○	-	- BC	Flat WHISPERBLAST	11.1	16.9	22.7	28.5	.28	150 psi	1000
600.562	○	-	20 -	Tangential air nozzle	-	5.3	-	-	.06	150 psi	1022

Example Type + Material no. + Conn. = Ordering no.
 for ordering: 600.130 + 1Y + BC = 600.130.1Y.BC

Please see the Lances and Nozzle Headers section for various configurations to mount your WHISPERBLAST air nozzles beginning on page 141.



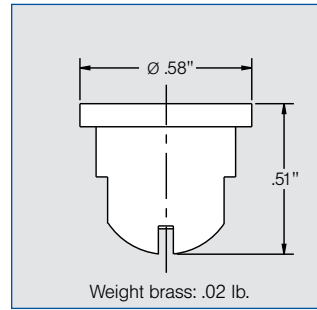
Air nozzle tips

Series 679

Designed specifically to create a wide spray angle flat fan, with air or steam. Orifice size options allow for varying SCFM output for the same air input psi. For use with nozzle base and cap.

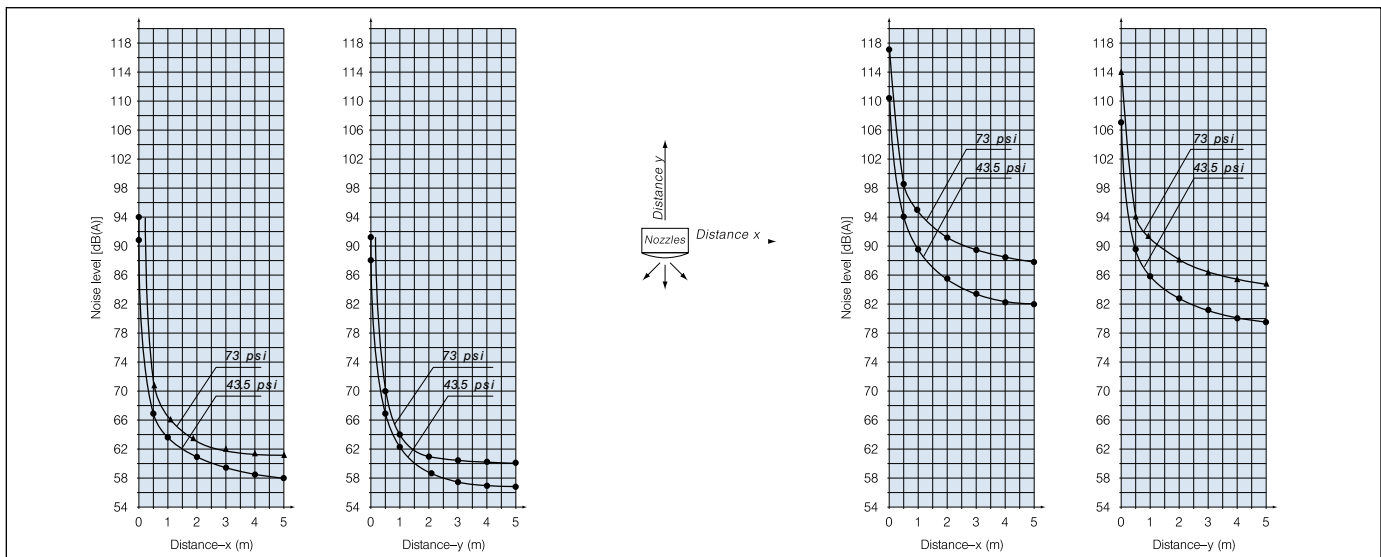
Applications:

- Strip and web drying
- Liquid blow-off
- Chip removal



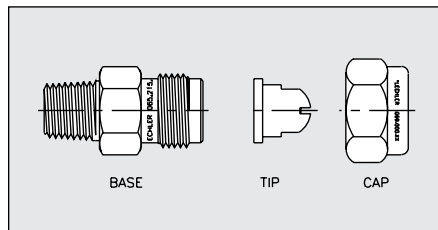
Spray angle	Ordering no.				Equip. Orifice diam. (in.)	Capacity for Air (Standard Cubic Feet per Minute)				Capacity for Saturated Steam (lb/hr)			
	Type	Mat. no.		7 psi		29 psi	73 psi	145 psi	7 psi	29 psi	73 psi	145 psi	
		316 SS	Brass										
70°	679. 037	-	○	.047	.9	1.8	3.5	6.5	2.6	5.1	10.1	18.3	
	679. 085	○	○	.051	1.2	2.4	4.7	8.7	3.5	6.8	13.4	24.4	
	679. 117	○	○	.059	1.2	2.5	4.9	9.1	3.8	7.3	14.3	25.8	
	679. 165	○	○	.071	1.5	3.0	6.1	11.1	4.4	9.0	17.6	31.5	
	679. 255	○	○	.083	2.1	4.3	8.5	15.7	6.2	12.6	24.7	44.5	
	679. 365	○	○	.110	3.7	7.5	15.0	27.4	11.0	22.0	43.1	77.7	
	679. 415	○	○	.142	6.0	12.0	24.0	43.9	17.6	35.1	69.1	124.8	
	679. 495	○	○	.169	9.2	18.3	36.6	67.1	27.3	54.6	106.8	192.6	

Example Type + Material no. = Ordering no.
for ordering: 679. 255 + 17 = 679. 255. 17



Bases and Cap for Mounting

Inlet Male NPT	Outlet Male	Part No.	Standard Materials: 17 316 SS 30 Brass
1/4"	11/16 x 16	065. 215. XX. 10	
3/8"	11/16 x 16	065. 211. XX. 10	
Cap			
To fit 11/16x16		069. 000. XX. 00	Other materials are available. See page 127.



A listing of alternatives for various assembly possibilities is shown in the Accessories section beginning on page 127.



Air or saturated steam nozzles

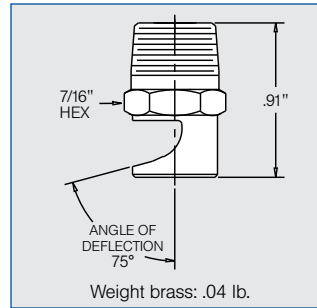
Deflector

Series 686

Wide-angle, powerful air jet.

Applications:

- Blowing off liquids
- Cooling
- Reheating
- Drying



Spray angle	Ordering no.				Orifice diam. (in.)	Capacity for Air (Standard Cubic Feet per Minute)						Capacity for Saturated Steam (lb/hr)					
	Type	Mat. no.		Conn.		10 psi	20 psi	40 psi	60 psi	80 psi	100 psi	10 psi	20 psi	40 psi	60 psi	80 psi	100 psi
		316 SS 17	Brass 30														
70°	686. 408	○	○	BA	.039	.4	.5	.8	1.1	1.4	1.7	1.8	2.4	3.5	4.6	5.7	6.6
	686. 488	○	○	BA	.051	.6	.9	1.4	1.9	2.4	2.9	2.6	3.7	5.7	7.5	9.3	11
	686. 528	○	○	BA	.059	.9	1.1	1.9	2.5	3.2	3.8	3.5	5.1	7.5	10	12	14
	686. 568	○	○	BA	.067	1.0	1.5	2.4	3.4	4.2	5.0	4.6	6.6	10	13	16	19
	686. 608	○	○	BA	.075	1.3	1.8	3.0	4.2	5.2	6.2	5.7	8.2	13	17	20	24
	686. 688	○	○	BA	.094	2.2	2.9	4.7	6.6	8.3	9.9	9.0	13	20	26	32	37
	686. 728	○	○	BA	.106	4.0	5.0	7.9	11	14	17	9.9	16	24	32	39	47
	686. 808	○	○	BA	.134	6.1	8.0	13	18	23	27	16	25	39	50	62	74

Example Type + Material no. + Conn. = Ordering no.
for ordering: 686. 408 + 17 + BA = 686. 408. 17. BA

A listing of alternatives for various assembly possibilities is shown in the Accessories section beginning on page 127.



Air or saturated steam nozzles

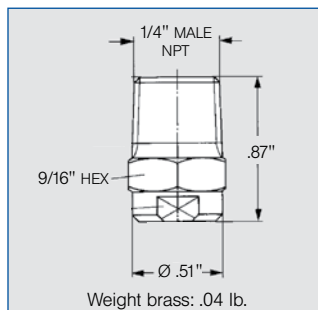
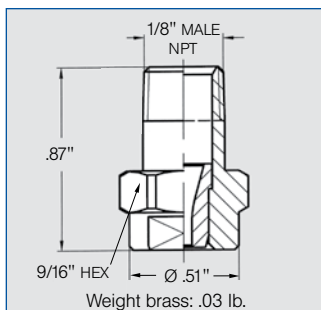
Solid stream

Series 544

Powerful air jet, producing small but targeted impact patterns.

Applications:

- Targeted blowing out and blowing off



Ordering no.			Orifice diam. (in.)	Capacity for Air (Standard Cubic Feet per Minute)				Capacity for Saturated Steam (lb/hr)			
Type	Mat. no.	Conn.		10 psi	25 psi	50 psi	75 psi	10 psi	25 psi	50 psi	75 psi
	303 SS 16	Male NPT 1/8" 1/4"									
544. 360	○	BA BC	.041	.5	.8	1.1	1.7	1.7	2.5	3.6	5.3
544. 400	○	BA BC	.051	.8	1.3	1.7	2.6	2.6	3.9	5.5	8.2
544. 480	○	BA BC	.052	1.0	1.5	2.0	3.0	3.1	4.5	6.4	9.3
544. 560	○	BA BC	.065	1.5	2.3	3.1	4.6	4.7	7.0	9.9	14.7
544. 640	○	BA BC	.082	2.5	3.8	5.2	7.8	7.9	11.7	16.6	24.5
544. 720	○	BA BC	.104	4.0	6.0	8.2	12.4	12.5	18.6	26.4	39.0
544. 800	○	BA BC	.130	6.3	9.5	12.9	19.3	19.7	29.1	41.1	60.9

Example **Type** + **Material no.** + **Conn.** = **Ordering no.**
for ordering: 544. 360 + 16 + BC = 544. 360. 16. BC

A listing of alternatives for various assembly possibilities is shown in the Accessories section beginning on page 127.

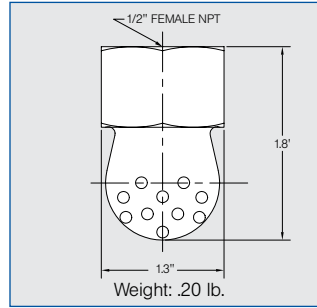
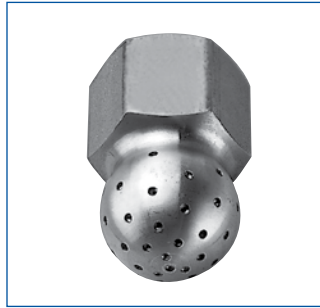


Air or saturated steam nozzles
Cluster solid stream
Series 540 / 541

Powerful air jet with 40 individual bore holes.

Applications:

- Injection of steam into liquids
- Injection of compressed air into bulk goods
- Gas injection (acid and neutralization baths)



Spray angle	Ordering no.				Orifice diam. (in.)	Capacity for Air (Standard Cubic Feet per Minute)				Capacity for Saturated Steam (lb/hr)			
	Type	Mat.no.	Conn.	16		15 psi	29 psi	44 psi	73 psi	15 psi	29 psi	44 psi	73 psi
240°	540. 909	○	BH	.032	13.4	20.1	26.8	40.2	14.7	21.7	29.1	43.6	
	540. 989	○	BH	.039	20.9	31.4	41.8	62.7	22.9	33.7	45.4	67.9	
	541. 109	○	BH	.059	49.0	73.5	98.0	147.0	53.8	79.3	106.6	159.4	
	541. 189	○	BH	.079	76.3	114.5	152.6	229.0	83.9	123.7	166.3	248.6	
	541. 239	○	BH	.091	98.4	147.6	196.8	295.2	107.5	158.5	213.2	318.8	

Example **Type** + **Material no.** + **Conn.** = **Ordering no.**
for ordering: 540. 909 + 16 + BH = 540. 909. 16. BH

For various configurations to mount your tank cleaning nozzle, see the Lances and Nozzle Headers section beginning on page 141.



