



# Solid jet nozzles for air or saturated steam

## Series 544

### Series 544

The solid jet nozzles of the 544 series generate a targeted solid jet of air. These nozzles are from Lechler's standard range, which offer a large choice of different performance ratings. The stainless steel version of this series also permits use at higher temperatures.



**Material**  
Stainless steel  
AISI 303



**Blowing force**  
.06-.65 LBF at 29 psi



**Noise level**  
65-90 db(A) at 29 psi



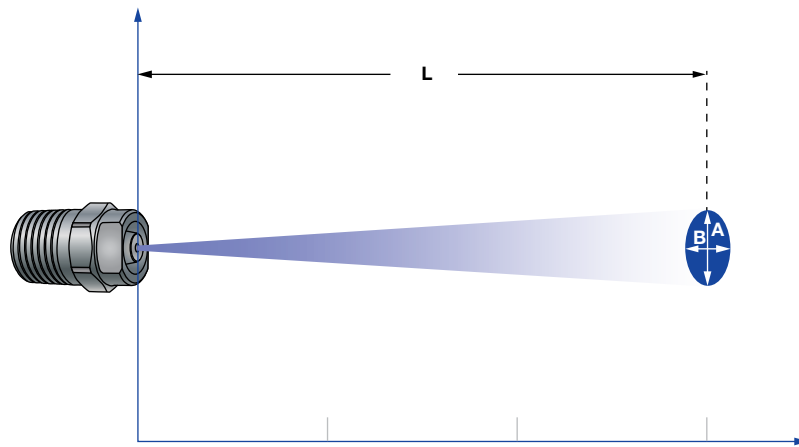
**Air consumption**  
see table



**Pressure**  
 $P_{max} = 435$  psi



**Max. temperature**  
550°C / 1022°F

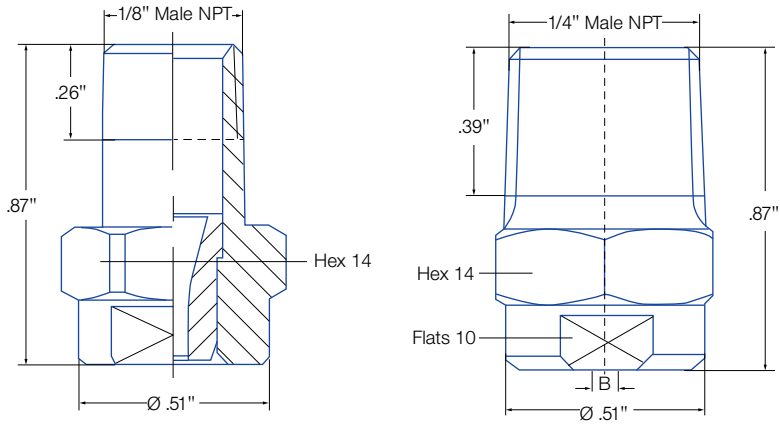


Jet pattern of 544 nozzle series

Pressure:	14.5 psi	44 psi	72.5 psi	
544.360	<b>Distance L [in]:</b>	<b>6.9</b>	<b>12.8</b>	<b>15.8</b>
	A [in]:	2	3	4
	B [in]:	2	3	4
544.480	<b>Distance L [in]:</b>	<b>9.8</b>	<b>15.8</b>	<b>18.7</b>
	A [in]:	2.8	4.7	5.9
	B [in]:	2.8	4.7	5.9
544.640	<b>Distance L [in]:</b>	<b>15.8</b>	<b>25.6</b>	<b>32.5</b>
	A [in]:	4.1	6.9	9
	B [in]:	4.1	6.9	9

Pressure:	14.5 psi	44 psi	72.5 psi	
544.800	<b>Distance L [in]:</b>	<b>29.5</b>	<b>35</b>	<b>35</b>
	A [in]:	7.1	10.2	11
	B [in]:	7.1	10.2	11





Ordering no.				Orifice diameter [in]	Capacity for Air [Standard Cubic Feet per Minute]				Capacity for Saturated Steam [lb/hr]			
Type	Mat. no.	Conn.			10 psi	25 psi	50 psi	75 psi	10 psi	25 psi	50 psi	75 psi
	16	AISI 303	1/8 NPT									
544. 360	○	BA	BC	.041	.5	.6	.9	1.3	1.1	2.4	5.8	5.0
544. 400	○	BA	BC	.051	.6	1.0	1.6	2.3	2.4	5.6	8.3	8.4
544. 480	○	BA	BC	.052	.8	1.4	2.1	3.0	3.6	6.1	9.0	13
544. 560	○	BA	BC	.065	1.2	2.2	3.5	4.8	5.3	8.2	13	19
544. 640	○	BA	BC	.082	2.1	3.4	5.5	7.7	9.5	15	22	32
544. 720	○	BA	BC	.104	3.8	5.7	9.7	13	15	20	32	45
544. 800	○	BA	BC	.130	5.9	9.1	15	20	21	33	54	75

**Example**    **Type**    +    **Mat. no.**    +    **Conn.**    =    **Ordering no.**  
**of ordering:**    544. 360    +    16            +    BA            =    544. 360. 16. BA