



# Intensive multi-channel flat jet nozzles for air

## Series 600.383.35

### Series 600.383.35

The intensive multi-channel flat jet nozzles of the 600.383 series generate a concentrated, powerful air jet. Due to the flattened design, the jet depth of this nozzle always remains constant even at changing pressures. This permits precise operation even under changing conditions.



**Cost savings**

**8%**



**Noise reduction**

**10%**



**Materials**

Brass nickel plated, PVC



**Blowing force**

1 LBF at 29 psi



**Noise level**

86 db(A) at 29 psi



**Air consumption**

$V_{LN}=18$  SCFM at 29 psi



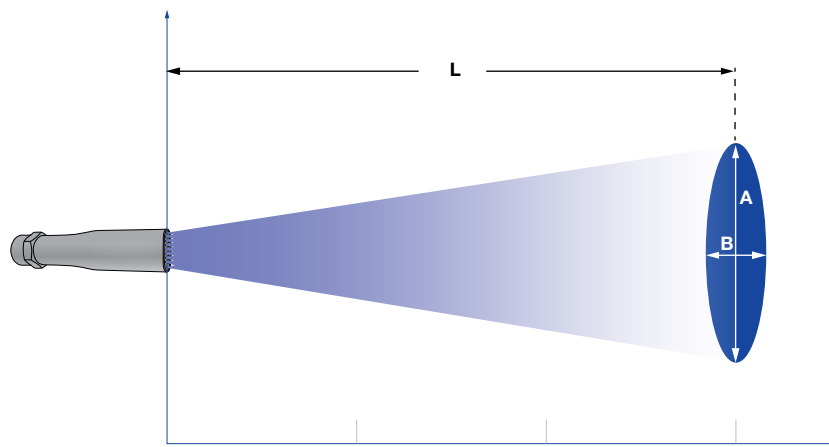
**Pressure**

$P_{max}=145$  psi



**Max. temperature**

50°C/ 122°F

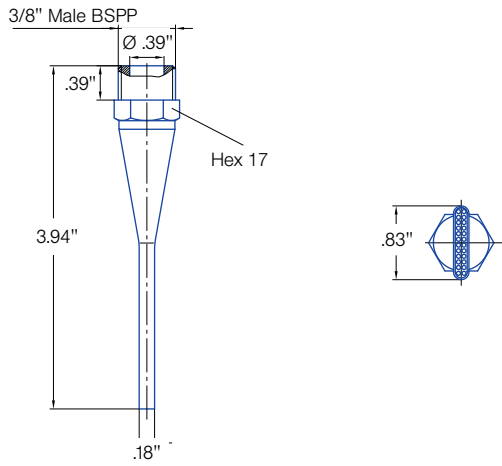


Jet pattern of 600.383.35 nozzle series

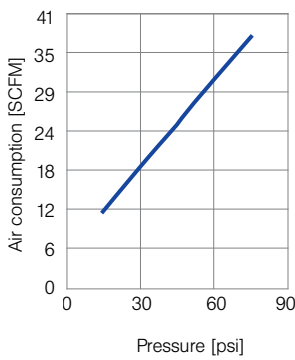
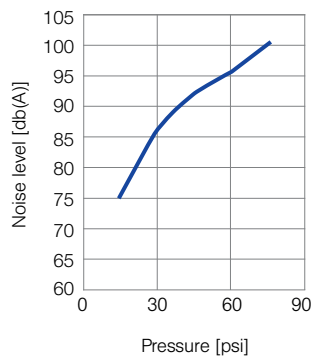
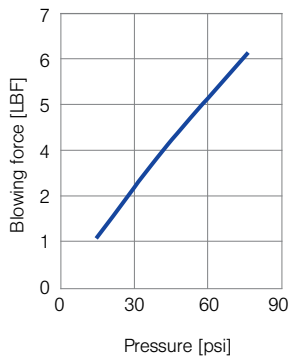
Pressure:	14.5 psi	44 psi	72.5 psi
Distance L [in]:	35	35	35

Jet dimensions at L

A [in]:	7.9	16.7	20
B [in]:	9.1	9.1	9.1



**Technical data**



Ordering no.		
Type	Mat. no.	Connection
	<b>35</b>	
	Brass nickel plated / PVC	3/8" Male BSPP
<b>600. 383</b>	○	<b>AE</b>

**Example of ordering:** Type + Mat. no. + Conn. = Ordering no.  
 600. 383. + 35 + AE = 600. 383. 35. AE