



# Maxi multi-channel flat jet nozzles for air

## Series 600.385.35

### Series 600.385.35

The maxi multi-channel flat jet nozzles of the 600.385 series generate a continuous very powerful air jet. Due to the large nozzle cross-section, this nozzle focuses large quantities of air into a concentrated jet that has a powerful impact even over large distances. Despite this, the noise level still remains low.



**Cost savings**



**28 %**



**Noise reduction**



**15 %**



**Materials**

Brass nickel plated,  
PVC



**Blowing force**

2.6 LBF at 29 psi



**Noise level**

91.5 db(A) at 29 psi



**Air consumption**

$V_{LN}=59$  SCFM at 29 psi



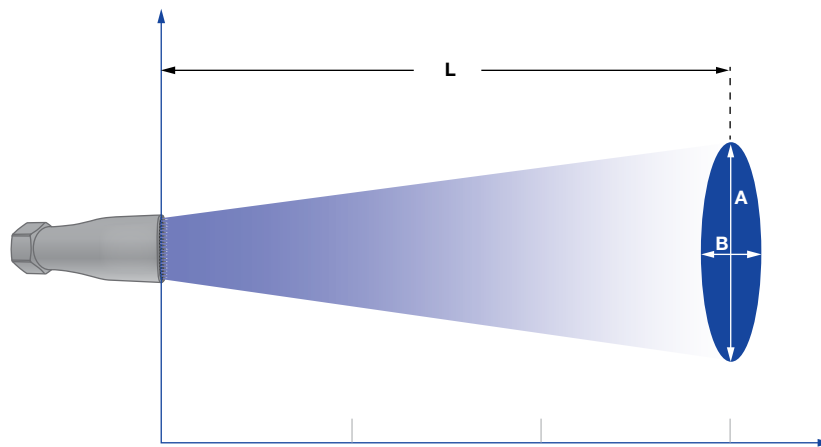
**Pressure**

$P_{max}=145$  psi



**Max. temperature**

50°C/ 122°F

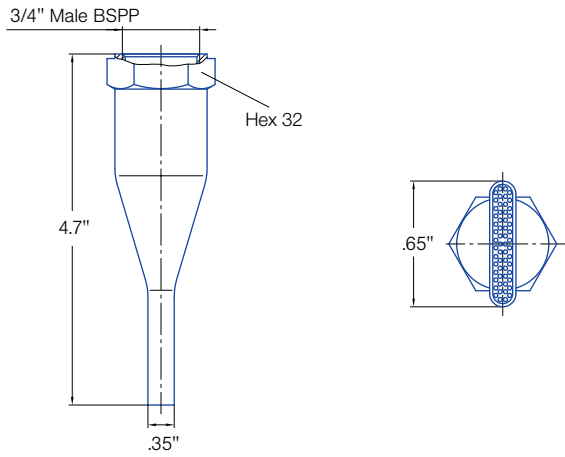


Jet pattern of 600.385.35 nozzle series

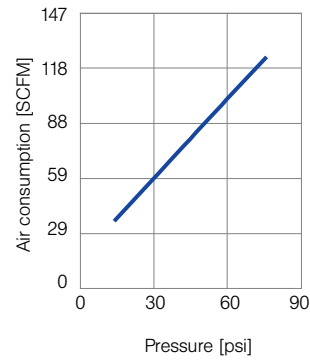
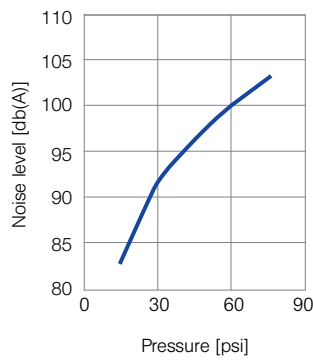
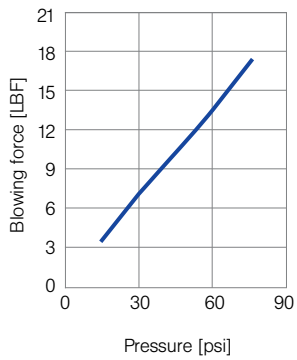
Pressure:	14.5 psi	44 psi	72.5 psi
Distance L [in]:	30.5	30.5	30.5

Jet dimensions at L

A [in]:	8.1	10	10.6
B [in]:	7.9	9.7	10.6



**Technical data**



Ordering no.		
Type	Mat. no.	Connection
	<b>35</b>	
	Brass nickel plated/PVC	3/4" Male BSPP
<b>600. 385</b>	○	<b>AL</b>

**Example of ordering:** Type + Mat. no. + Conn. = Ordering no.  
 600. 385. + 35 + AL = 600. 385. 35. AL