



Mini multi-channel round jet nozzles for air Series 600.388.30

Series 600.388.30

The mini multi-channel round jet nozzles of the 600.388 series generate a point of concentrated air even at large distances. The compact design of this series makes the nozzles particularly suitable for use in locations that are difficult to reach. The special design at the nozzle outlet prevents air penetration into human skin. These nozzles comply with the OSHA standards.



Cost savings

7%



Noise reduction

8%



Materials
Brass, POM



Blowing force
.2 LBF at 29 psi



Noise level
77 db(A) at 29 psi



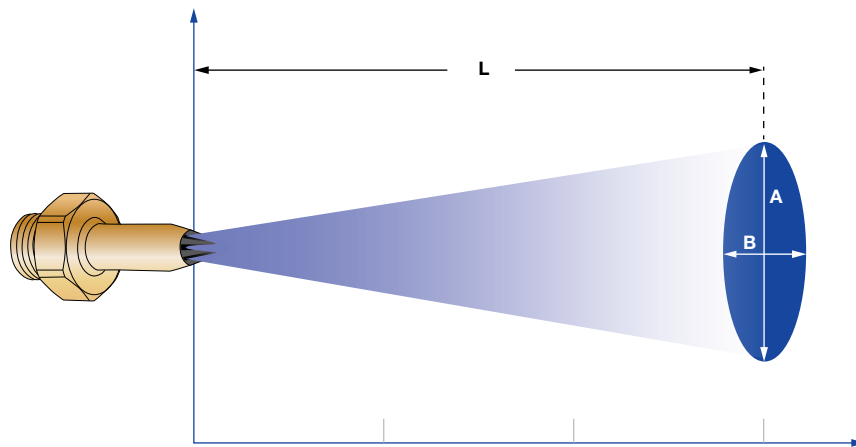
Air consumption
 $V_{LN}=5$ SCFM at 29 psi



Pressure
 $P_{max}=145$ psi



Max. temperature
50°C/ 122°F

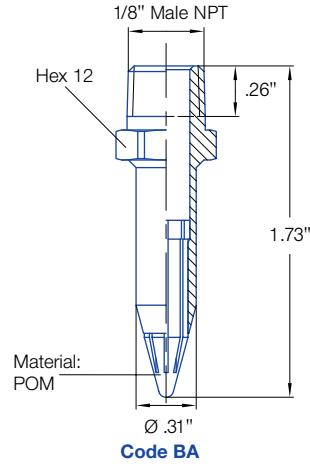
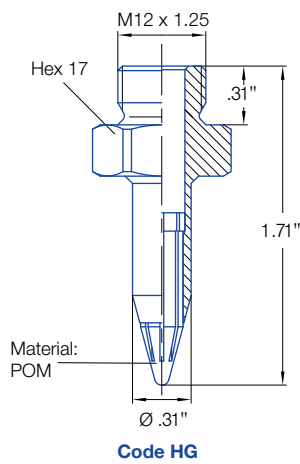
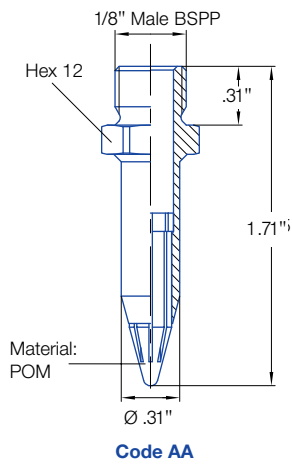


Jet pattern of 600.388 nozzle series

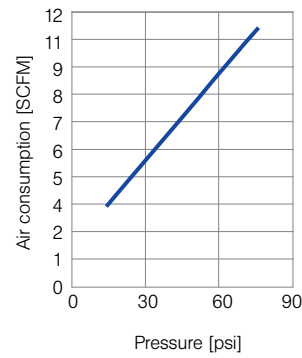
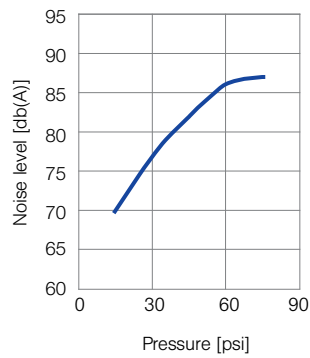
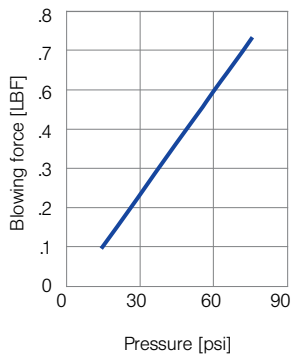
Pressure:	14.5 psi	44 psi	72.5 psi
Distance L [in]:	20	28	35

Jet image dimensions at L

A [in]:	5.1	7.3	10.2
B [in]:	5.1	7.3	10.2



Technical data



Ordering no.		Connection thread
Type	Conn.	
600. 388. 30 (Material: Brass/POM)	AA	1/8" Male BSPP
	HG	M 12 x 1.25
	BA	1/8" Male NPT

Example	Type	+	Conn.	=	Ordering no.
of ordering:	600. 388. 30	+	AA	=	600. 388. 30. AA