

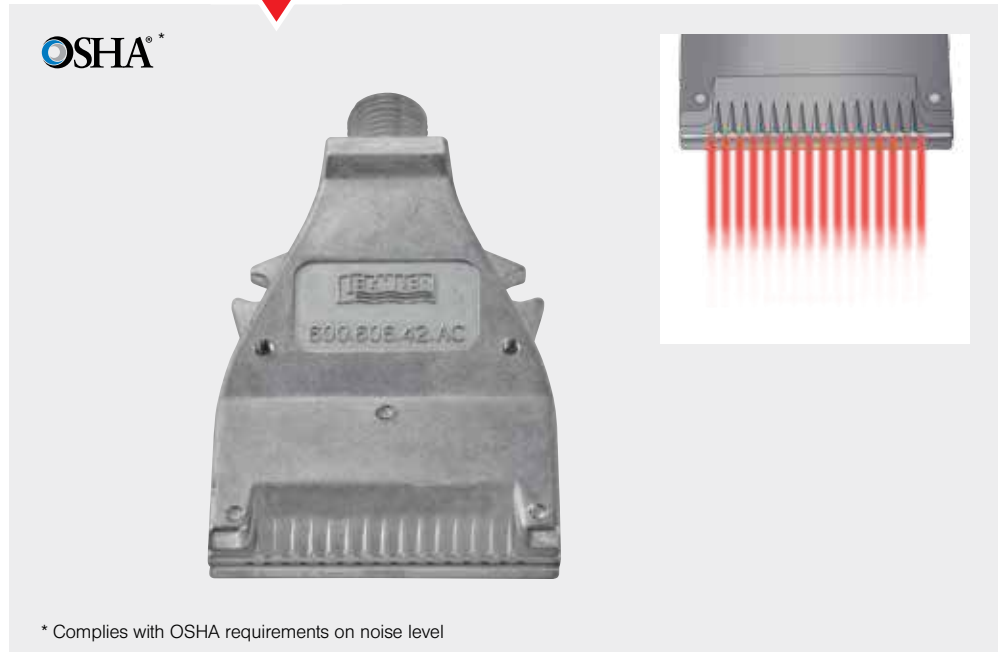


Multi-channel flat jet nozzles for air Whisperblast®, metallic versions Series 600.606.42

NEW

Series 600.606.42

The multi-channel flat jet nozzles of the 600.606 series are made of aluminum and are capable of withstanding significantly higher thermal and mechanical loads than comparable air nozzles made of plastic. In addition, the blowing force also increases at higher air pressures, making this series suitable for demanding applications.



* Complies with OSHA requirements on noise level



Cost savings

21%



Noise reduction

18%



Material
Aluminum



Blowing force
.32 LBF at 29 psi



Noise level
68.5 db(A) at 29 psi



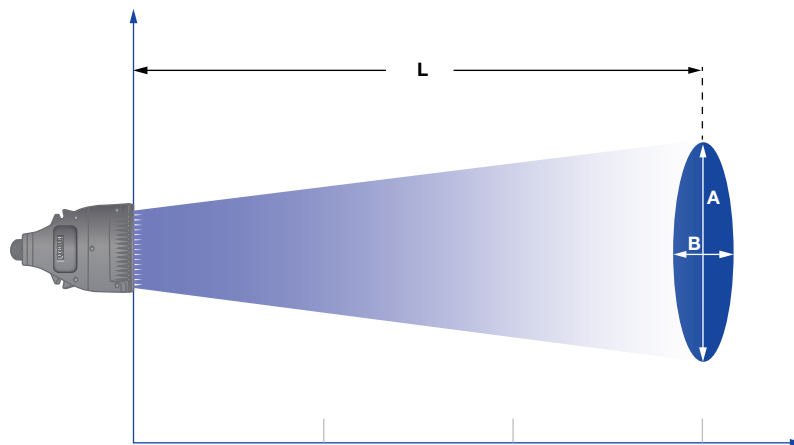
Air consumption
 $V_{LN}=7$ SCFM at 29 psi



Pressure
 $P_{max}=145$ psi



Max. temperature
200°C/ 392°F

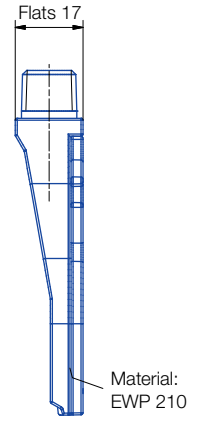
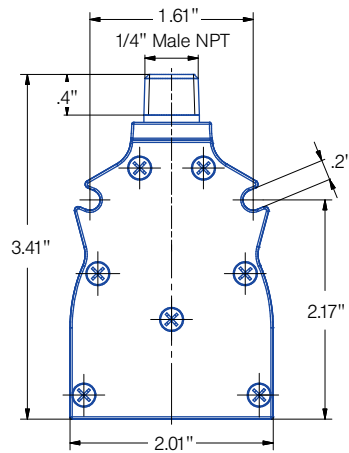
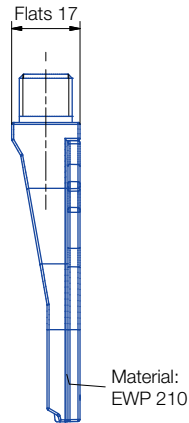
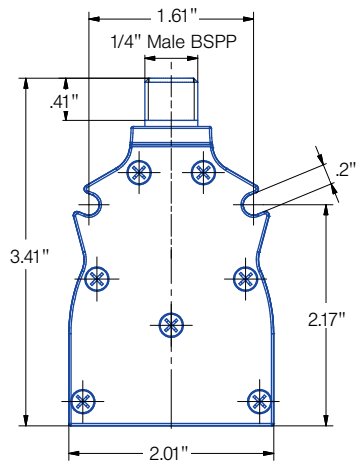


Jet pattern of 600.606 nozzle series

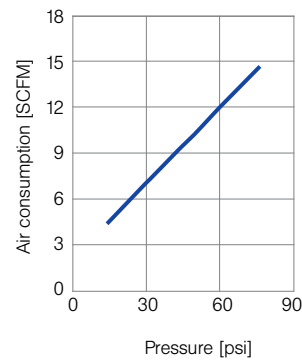
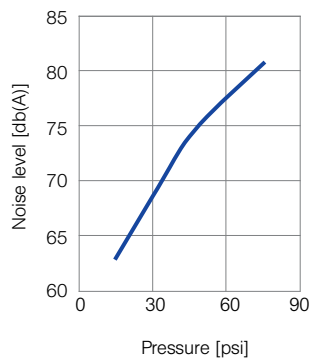
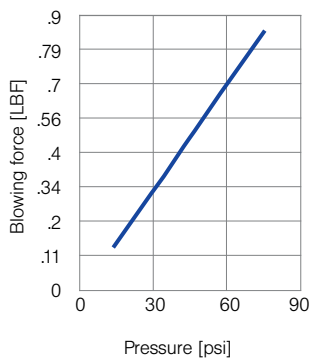
Pressure:	14.5 psi	44 psi	72.5 psi
Distance L [in]:	24.6	35.4	36.4

Jet dimensions at L

A [in]:	5.7	8.3	8.3
B [in]:	5	7.3	8.9



Technical data



Ordering no.			
Type	Mat. no.	Connection	
	Aluminum	42	1/4" Male BSPP
600. 606	○	AC	BC

Example **Type** + **Mat. no.** + **Conn.** = **Ordering no.**
of ordering: 600. 606. + 42 + AC = 600. 606. 42. AC