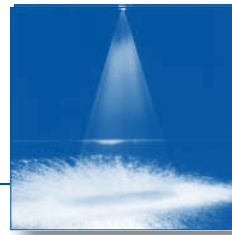




Flat fan nozzles

High pressure

Series 602 / 608 / 652



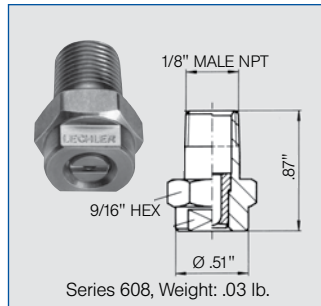
Sharp uniform flat fan for high pressure usage.

Applications:

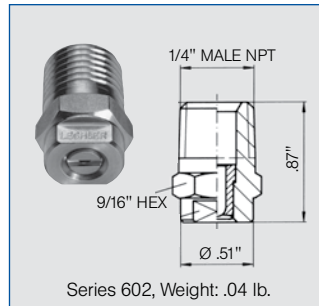
- High pressure cleaners
- Steam jet cleaners

Materials:

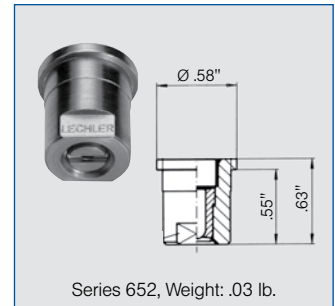
Nozzle body: 303 SS
Insert: Hardened stainless steel



Series 608, Weight: .03 lb.



Series 602, Weight: .04 lb.



Series 652, Weight: .03 lb.

Nozzle Code			Flow Rate Code				Equivalent Orifice diam. (in.)	Flow Rate (Gallons Per Minute)							
1/8"	1/4"	nut	Spray Angle					40 psi	600 psi	1000 psi	1500 psi	liters per minute 100 bar	2000 psi	3000 psi	4500 psi
			20°	30°	45°	60°									
608	602	652	361	362	363	364	.039	.20	.77	.99	1.2	4.5	1.4	1.7	2.1
608	602	652	381	382	383	384	.043	.25	.95	1.2	1.5	5.6	1.7	2.1	2.6
608	602	652	401	402	403	404	.046	.30	1.2	1.5	1.8	6.8	2.1	2.6	3.2
608	602	652	411	412	413	414	.051	.34	1.3	1.7	2.1	7.8	2.4	3.0	3.6
608	602	652	451	452	453	454	.053	.40	1.6	2.0	2.5	9.2	2.8	3.5	4.3
608	602	652	471	472	473	474	.055	.45	1.7	2.3	2.8	10.3	3.2	3.9	4.8
608	602	652	481	482	483	484	.061	.51	2.0	2.5	3.1	11.5	3.6	4.4	5.4
608	602	652	501	502	503	504	.063	.55	2.1	2.8	3.4	12.6	3.9	4.8	5.9
608	602	652	521	522	523	524	.067	.60	2.3	3.0	3.7	13.8	4.3	5.2	6.4
608	602	652	531	532	533	534	.070	.65	2.5	3.3	4.0	14.8	4.6	5.6	6.9
608	602	652	541	542	543	544	.070	.70	2.7	3.5	4.3	15.9	4.9	6.0	7.4
608	602	652	551	552	553	554	.074	.75	2.9	3.7	4.6	17.0	5.3	6.5	7.9
608	602	652	571	572	573	574	.080	.80	3.1	4.0	4.9	18.2	5.6	6.9	8.4
608	602	652	591	592	593	594	.082	.90	3.5	4.5	5.5	21	6.4	7.8	9.6
608	602	652	601	602	603	604	.090	1.0	3.9	5.0	6.1	23	7.1	8.7	10.6
-	602	652	641	642	643	644	.098	1.2	4.8	6.2	7.6	28	8.7	10.7	13.1
-	602	652	671	672	673	674	.106	1.5	5.7	7.4	9.1	34	10.5	12.8	15.7
-	602	652	701	702	703	704	.118	1.7	6.7	8.7	10.6	40	12.3	15.0	18.4
-	602	652	-	-	723	724	.120	2.0	7.8	10.0	12.3	46	14.2	17.3	21
-	602	652	-	-	793	-	.154	2.9	11.4	14.7	18.0	67	21	25	31

Connection Code	Connection	Maximum pressure
A3. 00	Male BSPT	Approx. 5000 psi
A3. 07	Male NPT	Approx. 5000 psi
A3. 29	Retainer cap	Approx. 3000 psi

Example Nozzle code + Flow rate code + Connection code = Ordering no.
 for ordering: **602.** + **361** + **A3. 07** = **602. 361. A3. 07**
 (see bolded column headings above) (.99 gpm & 20° spray angle @ 1000 psi; 1/4" Male NPT)



Flat fan

Conversion formula for the above series: $V_2 = V_1 \sqrt{\frac{P_2}{P_1}}$
 (See page 12 for symbol definitions.)

