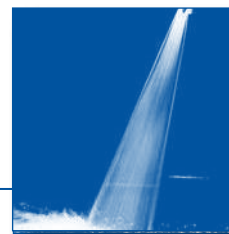




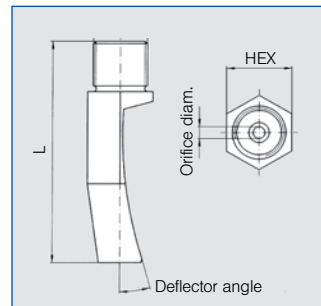
# Flat fan nozzles Tongue-type impactor deflector Series 688 / 689



**Deflector design provides clog resistance and high impact at low pressures. Even distribution.**

**Applications:**

- Heavy impact washing
- Drum filter cleaning
- Knock-off showers
- Phosphating lines

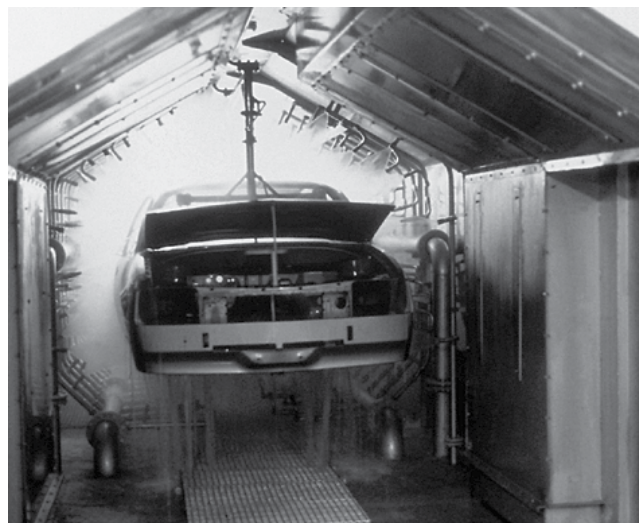


Spray angle	Deflector angle	Ordering no.				Orifice diam. (in.)	Flow Rate (Gallons Per Minute)							Dimensions (in.)		Weight 303 SS (lb.)	Spray Width B (in.) @ 30 psi			
		Type	Material no.		Connection		liters per minute							L	Hex		H=10"	H=20"		
			303 SS	PVDF	Male NPT		10 psi	20 psi	2 bar	30 psi	40 psi	60 psi	80 psi						100 psi	
16	5E	3/8"	3/4"	10 psi	20 psi	2 bar	30 psi	40 psi	60 psi	80 psi	100 psi	L	Hex	(lb.)	H=10"	H=20"				
45°	35°	688. 763	○	-	BE	-	.118	1.2	1.8	8.0	2.1	2.5	3.0	3.5	3.9	1.7	3/4	.25	9	17
	30°	688. 843	○	-	BE	-	.150	1.9	2.7	12.5	3.4	3.9	4.8	5.5	6.1	2.0	3/4	.29	9	17
	29°	688. 923	○	-	BE	-	.189	3.1	4.4	20	5.4	6.2	7.6	8.8	9.8	2.3	7/8	.54	9	17
	35°	689. 003	○	○	-	BK	.236	4.9	6.9	32	8.6	9.8	12.0	13.8	15.5	3.1	1-1/4	.67	10	19
																3.1*	15/16*	.07*		

\* Measurement for PVDF model

**Example for ordering:** Type + Material no. + Conn. = Ordering no.  
688. 923 + 16 + BE = 688. 923. 16. BE

Flat fan



Phosphating line

A listing of alternatives for various assembly possibilities is shown in the Accessories section beginning on page 127.

