



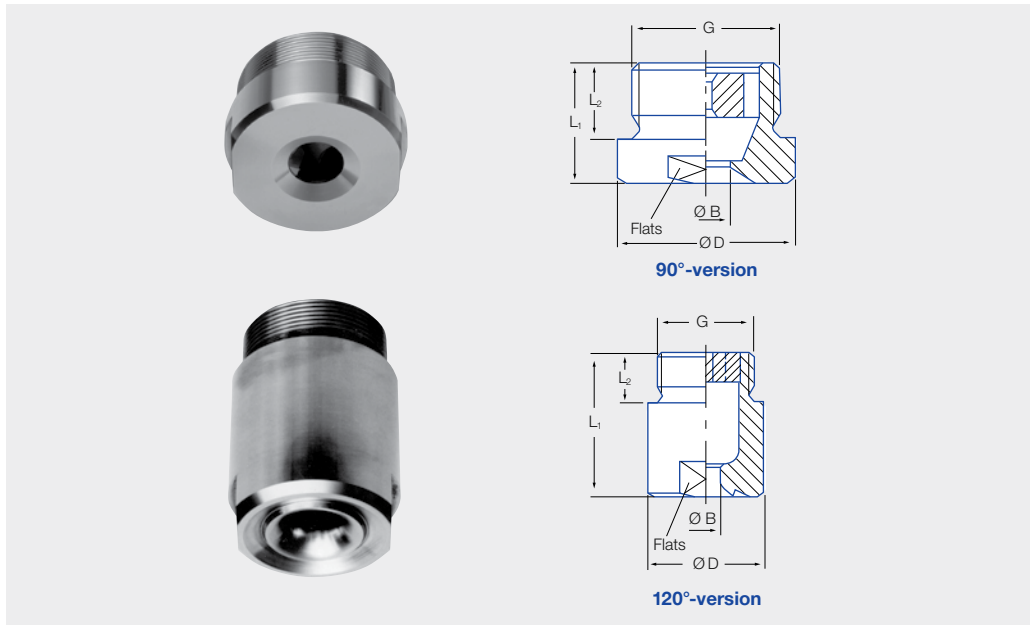
Axial-flow full cone nozzles Series 403



Very uniform spray pattern.

Applications:

Surface spraying, spraying over packings, chemical process engineering, cooling of gaseous fluids and solids.



Other nozzle sizes and materials are available on request.

90°-version

G (Male NPT)	Dimensions (in.)				Wt. (lb.)
	L1	L2	D	Flats	
2-1/2	2.0	1.1	3.3	3.0	2.9
3	2.4	1.2	3.9	3.3	3.7
3-1/2	2.8	1.3	4.6	4.1	8.4

120°-version

G (Male NPT)	Dimensions (in.)				Wt. (lb.)
	L1	L2	D	Flats	
2-1/2	4.9	1.1	3.3	3.0	6.6
3	6.0	1.2	3.9	3.3	11.5
3-1/2	6.1	1.3	4.6	4.1	18.5
4	6.5	1.4	5.0	4.3	21.0

Spray angle	Ordering no.				Orifice diam. (in.)	Free passage (in.)	Flow Rate (Gallons Per Minute)										Spray Diam. D (in.) @ 30 psi			
	Type	Mat. no. 316L SS 1Y	Connection				liters per minute					Gallons Per Minute					H=20"	H=40"		
			2 1/2"	3"			3 1/2"	4"	2 bar	30 psi	40 psi	60 psi	80 psi	100 psi						
90°	403.446	○	BY	-	-	-	.985	.473	52	69	91	400	107	120	141	159	173	35	67	
	403.486	○	BY	-	-	-	1.162	.473	65	86	114	500	134	150	177	198	217	35	67	
	403.526	○	-	MA	-	-	1.000	.544	82	109	143	630	169	189	223	250	273	35	67	
	403.606	○	-	-	MC	-	1.576	.591	131	173	228	1000	269	300	353	396	433	38	69	
120°	403.448	○	BY	-	-	-	1.005	.394	52	69	91	400	107	120	141	159	173	59	112	
	403.488	○	BY	-	-	-	1.162	.433	65	86	114	500	134	150	177	198	217	59	112	
	403.528	○	-	MA	-	-	1.261	.591	82	109	143	630	169	189	223	250	273	59	112	
	403.568	○	-	-	MC	-	1.497	.473	105	138	182	800	215	240	283	317	347	59	112	
	403.608	○	-	-	MC	-	1.655	.473	131	173	228	1000	269	300	353	396	433	59	112	
	403.628	○	-	-	-	ME	1.773	.591	163	216	285	1250	336	375	442	495	542	63	114	

Example Type + Material no. + Conn. = Ordering no.
for ordering: 403.448 + 1Y + BY = 403.448.1Y.BY

Conversion formula for the above series: $\dot{V}_2 = \dot{V}_1 * \left(\frac{p_2}{p_1}\right)^{0.4}$