



Eccentric hollow cone nozzles

Series 302/304

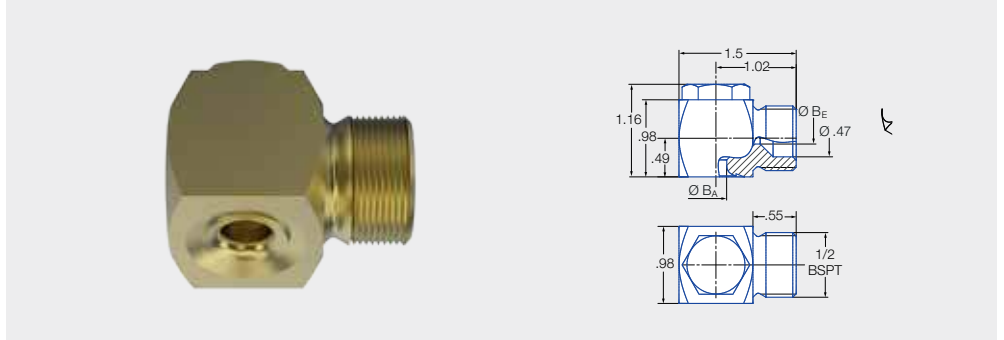
Protection against fire or radiation heat


- Uniform hollow cone atomization
- Clogging-resistant nozzle without swirl inserts

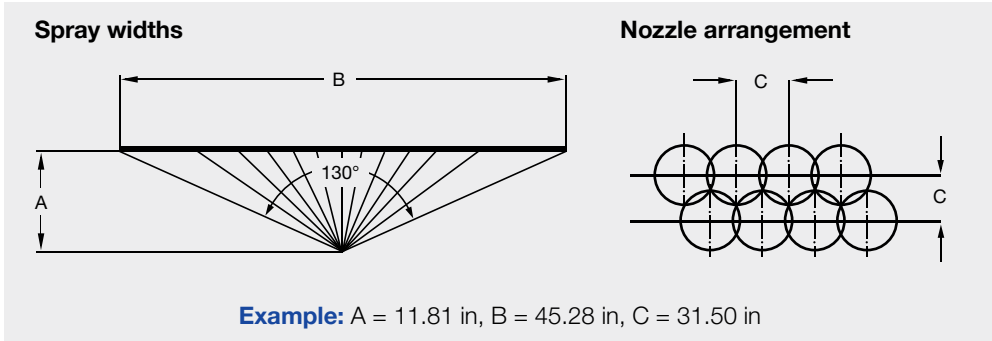
Applications:

Sprinkling ammunition rooms on defense ships, fire protection/protection, protection against radiation heat.

NATO/BW number available on request.



Spray angle 	Ordering no.						B _A Ø [in]	B _E Ø [in]		
	Type	Material no.			Code				p [psij] gal/min	p [psij] SCFM
		2.0402	2.0966	2.0920	1/2 BSPT	3/8 BSPT				
130°	302.628	30	3E	33	-	02	.20	.13	1.85	.24
	304.688	30	3E	33	02	-	.24	.15	2.64	.35
	304.758	30	3E	33	02	-	.30	.17	3.96	.53



Spray diameter B [in]	Spray height [in]
17.72	3.94
33.46	7.87
45.28	11.81
57.09	15.75

The construction specifications require the following impact density of the German Armed Forces for naval ships for wall and ceiling surfaces: 1 SCFM (15 l/min) per m².

Ordering	Type	+	Material no.	+	Code	=	Ordering no.
example:	302.628	+	30	+	02	=	302.628.30.02