



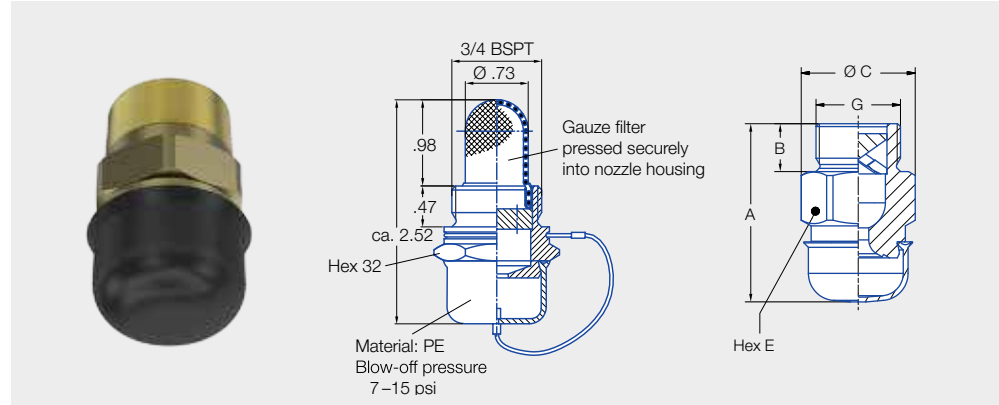
Full cone nozzles with protection cap Series 400/401



Particularly uniform full cone atomization. The nozzle outlet is protected by a cap against dirt and minor damage. This falls off at a corresponding water pressure and releases the nozzle opening. The protection cap can be optionally secured to prevent loss.

Applications:

Fire protection applications in hatch covers and preventive fire protection in cargo holds.



Flow rates and dimensions

Spray angle	Ordering no.				E Ø [in]	Flow Rate (Gallons Per Minute)			K- factor	Blow-off pressure [psi]	
	Type	Code				30	liters per minute 2 bar	45			
		1 BSPP	3/4 BSPP	1 1/4 BSPP							3/4 BSPT
120°	400.958.30.00	○	-	-	-	.27	21.13	80.0	27.90	61.0	7.3-14.5
	400.958.30.01	-	○	-	-	.19	10.57	40.0	14.00	30.0	7.3-14.5
	400.958.30.02	-	-	-	○	.19	8.32	31.5	10.99	24.0	7.3-14.5
	401.024.30.00	-	-	○	-	.20	24.30	92.0	31.96	70.0	4.4-11.6
80°	400.261.30.04	-	-	-	○	.24	8.32	31.5	10.99	24.0	7.3-14.5

E = narrowest free cross section · Protection cap material: HD-PE

Dimensions [in]				
G	A	B	C	E
1 BSPT	2.54	0.66	1.57	1.42
3/4 BSPT	2.20	0.57	1.32	1.18
3/4 BSPP	2.20	0.59	1.41	1.26
3/4 BSPP	2.52	0.47	1.45	1.26
1 1/4 BSPT	2.64	0.93	2.09	1.81