

Rotating cleaning nozzle MaxiSpinner 2 Series 5M4



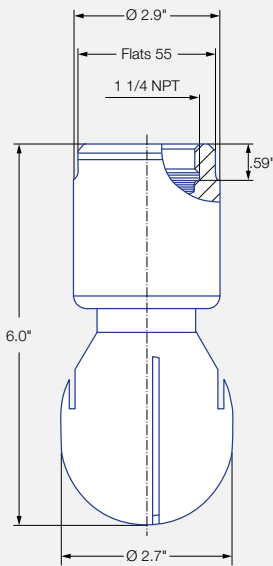
Features:

- Hygienic design
- Suitable for high temperatures
- Made entirely of stainless steel

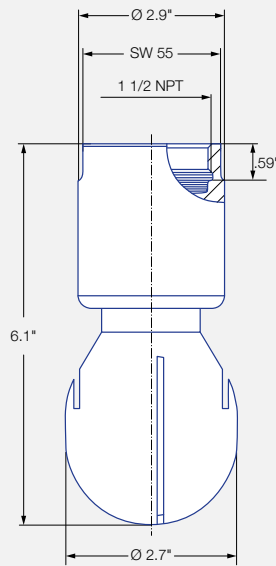


**ATEX version
available on
request**

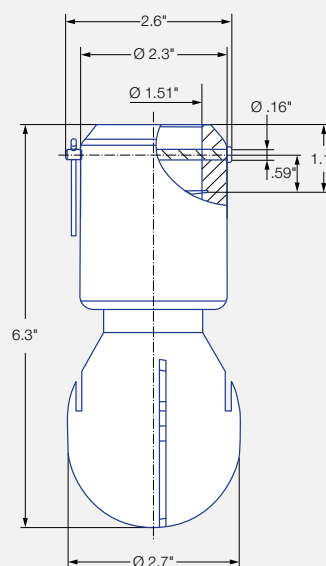
Series 5M4



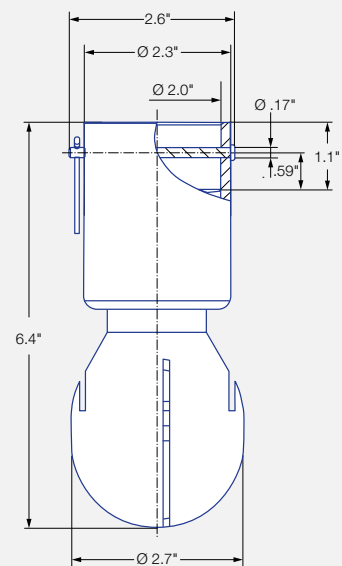
Female thread



Female thread



Dimensions of the
1 1/2" slip-on connection according
to ASME-BE (OD-tube)



Dimensions of the
2" slip-on connection according
to ASME-BE (OD-tube)

Max. tank diameter [ft]	0	2	4	6	8	10	12	14	16	18
--------------------------------	---	---	---	---	---	----	----	----	----	----

Cleaning efficiency class
2

Max. temperature
482 °F

Installation
Operating in every direction possible


Bearing
Double ball bearing made of stainless steel 316L

Material
Stainless steel 316L

Recommended operating pressure
30 psi

Filtration
Line strainer with a mesh size of 0,1mm/170 mesh

Adapter
HygienicFit adapter is only available with 1 1/4 BSPP and 1 1/2 BSPP

Spray angle	Ordering no.					Narrowest free cross section \varnothing [in]	\dot{V} water [gal/min]				Max. tank diameter [ft]
	Type	Connection					p [bar] ($p_{max} = 100$ psi)*				
		1 1/4 NPT	1 1/2 NPT	1 1/2" Slip-on	2"- Slip-on		20 psi	30 psi	2 bar	40 psi	
360° 	5M4.279.1Y	BQ	BS	TF15	TF20	.07	33.0	40.4	150	46.6	13.1
	5M4.329.1Y	BQ	BS	TF15	TF20	.08	43.9	53.8	200	62.1	14.8
	5M4.369.1Y	BQ	BS	TF15	TF20	.09	54.8	67.2	250	77.5	16.4

* Please note the maximum operating pressure of 58 psi for the 2" slip-on connection.

The max. tank diameter shown above applies for the recommended operating pressure and has to be seen as a recommendation. The cleaning result is also affected by the type of soiling

Operating with compressed air only for short-term usage. Operation above the recommended operating pressure has negative effects on the cleaning result and wear.

Information slip-on connection

- Bolt with head incl. pin made of stainless steel 316L included (Ordering no. 05M.431.1Y.00.00.0).
- Depending on diameter of the adapter, the flow rate increase due to leakage between connecting pipe and rotating cleaning nozzle.
- Minimum insertion diameter (with mounted bolt) is the same as for the threaded variants 2.7 in.

MaxiSpinner 2

Example of ordering: Type + Connection = Ordering no.
 5M4.369.1Y + BQ = 5M4.369.1Y.BQ