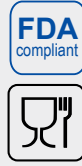




Rotating cleaning nozzle “PicoWhirly” Series 500.234

Series 500.234

The PicoWhirly works with rotating solid jets and is also suitable for cleaning at very high temperatures. This rotating cleaning nozzle with kolsterized slide bearing is made entirely from stainless steel and can also be used in very small spaces, thanks to its extremely compact construction.



To see video

Scan the QR-code
or go to:
www.lechlerusa.com



Material
AISI 316L SS

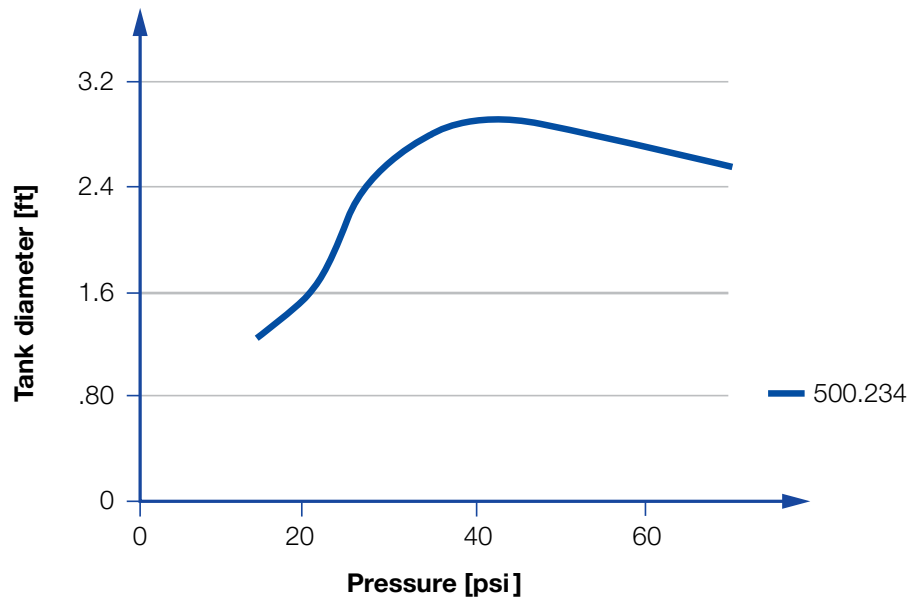
Max. temperature
400°F/ 200°C

Recommended operating pressure
40 psi

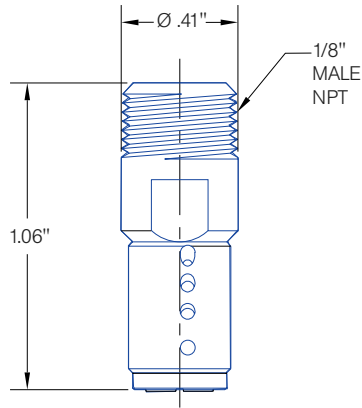
Installation
Operates in every direction



Filtration
Line strainer with a mesh size of 0.3 mm/50 mesh

Bearing
Kolsterized Sleeve bearing



Overview of the tank diameter, depending upon the pressure of series 500.234



Spray angle 	Ordering no. Connection 1/8" Male NPT	Free Passage (in.)	Flow Rate (Gallons Per Minute)				Max. tank diameter [ft]
			20 psi	liters per minute 2 bar	40 psi	60 psi	
300° 	500. 234. G9. BA	.07	1.8	8	2.5	3.0	3

The maximum tank diameter shown above applies for the recommended operating pressure and is indicative only. The cleaning result is also affected by the type of soiling.

Information on operation

- Operation with compressed air or steam purge only for short-term usage. Operation above the recommended operating pressure means higher wear and smaller droplets. This might have adverse effects on the cleaning result.

2
Cleaning efficiency class

3
Cleaning efficiency class

4
Cleaning efficiency class

5
Cleaning efficiency class

Static cleaning nozzles