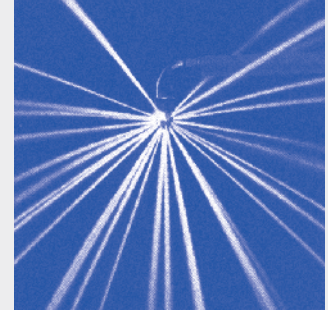
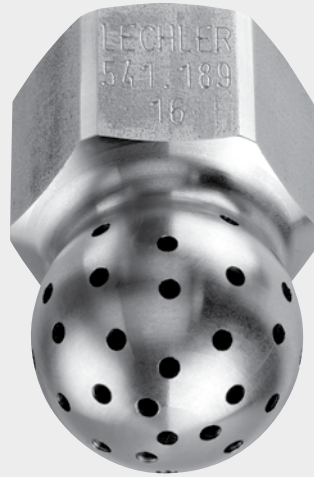




Static spray balls Series 540 / 541

Series 540 / 541

The robust series 540 / 541 have a threaded connection and an especially compact design. They can also be used at high temperatures as well as for the output of steam and air.

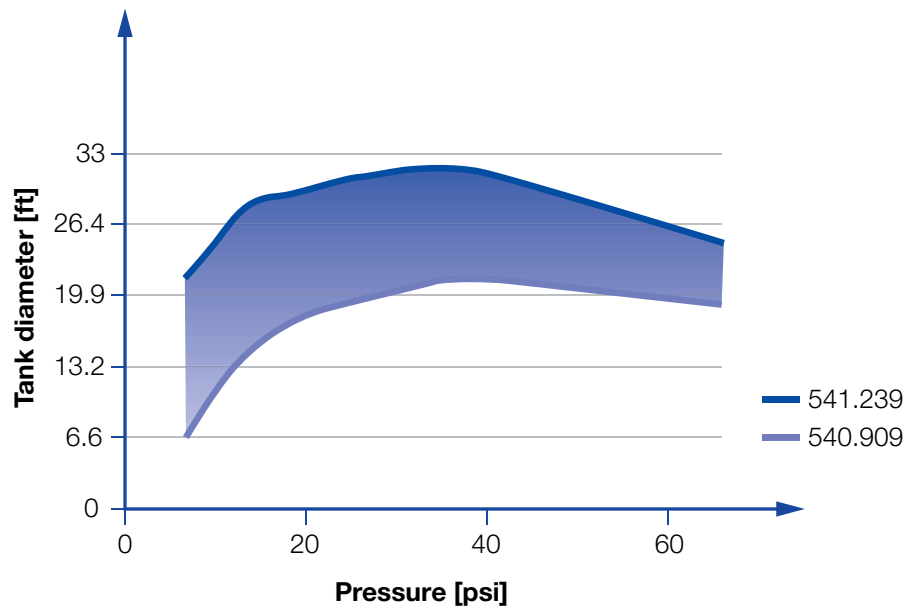


Material
AISI 303 SS

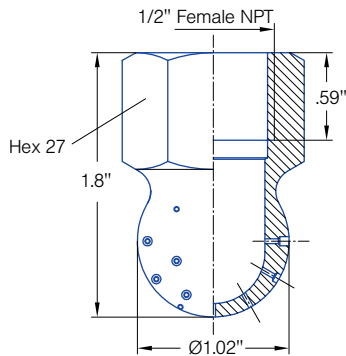
Max. temperature
392°F / 200°C



Recommended operating pressure
40 psi

Installation
Operates in every direction



Overview of the tank diameter, depending upon the pressure of series 540 / 541



Spray angle 	Ordering no.	Free Passage (in.)	Flow Rate (Gallons Per Minute)				Max. tank diameter [ft]
			20 psi	liters per minute 2 bar	40 psi	60 psi	
240° 	540. 909. 16. BH	.031	4	18	6	7	21
	540. 989. 16. BH	.039	6	28	9	11	23
	541. 109. 16. BH	.059	13	57	18	22	25
	541. 189. 16. BH	.079	20	90	28	34	27
	541. 239. 16. BH	.090	26	118	37	45	31

The maximum tank diameter shown above applies for the recommended operating pressure and is indicative only. The cleaning result is also affected by the type of soiling.

Information on operation

In most applications, static spray balls do not deliver the same cleaning power as rotating nozzles, however, they do have advantages that make them indispensable for certain tasks:

- No moving parts
- Self-draining
- Easy to inspect
- Proven use in hygienically sensitive environments

If for some reason, a rotating nozzle should stop turning, parts of the tank may remain uncleaned. This will not happen with spray balls. However, gaps can occur in the spray pattern if individual openings are blocked with soil.

Compared to rotating nozzles, static spray balls usually need two to three times the amount of liquid.

1
Cleaning efficiency class

2
Cleaning efficiency class

3
Cleaning efficiency class

4
Cleaning efficiency class

5
Cleaning efficiency class

Static cleaning nozzles