

Rotating cleaning nozzle MicroWhirly Series 566



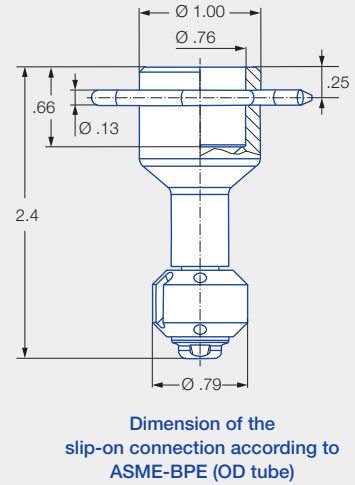
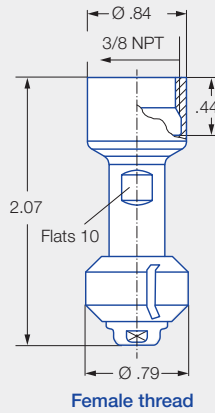
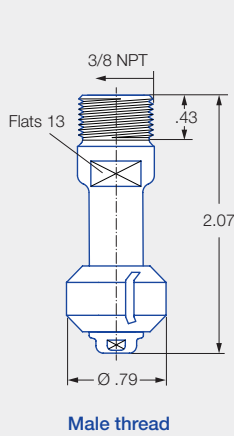
Features:

- Cleaning with effective flat jets
- Robust slide bearing made of PEEK
- Equipped with a thread or slip-on connection
- Food grade compatibility



ATEX version available on request

Series 566



	Max. tank diameter [ft]	0	5	10	15	20	25	30
--	--------------------------------	---	---	----	----	----	----	----

Technical data:



Maximum operating temperature
302 °F
194 °F (ATEX)



Maximum ambient temperature
392 °F
248 °F (ATEX)



Installation
Operation in every installation position



Bearing
Slide bearing made of PEEK



Material
Stainless steel 1.4404 (316L), PEEK ESD (only ATEX version)



Weight
Threaded = 0.1 lbs
Slip-on = 0.2 lbs



Surface quality
Ra ≤ 1.6 µm
OUTSIDE



Surface quality
Ra ≤ 1.6 µm
INSIDE



Steam suitability
Suitable



Insertion diameter
.79–1.89 in



Recommended filter
Line strainer with a mesh size of 0.3 mm/50 mesh

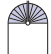




Recommended operating pressure
30 psi

Function video
www.lechler.com/microwhirly
Or scan the QR code.





Spray angle	Ordering number				Narrowest free cross section \varnothing [in]	\dot{V} water [gal/min]				Max. tank diameter [ft]
	Type	Connection				p [psi] ($p_{max} = 90$ psi)				
		3/8" NPT Male	3/8" NPT Female	3/4"-Slip-on		15	30	Liters per min. 2 bar	45	
180° 	566.873.1Y	BE	BF	TF07	0.04	2.85	4.03	15	4.94	5
	566.933.1Y	BE	BF	TF07	0.09	3.99	5.64	21	6.91	5.5
180° 	566.874.1Y	BE	BF	TF07	0.04	2.85	4.03	15	4.94	5
	566.934.1Y	BE	BF	TF07	0.09	3.99	5.64	21	6.91	5.5
360° 	566.879.1Y	BE	BF	TF07	0.04	2.85	4.03	15	4.94	5
	566.939.1Y	BE	BF	TF07	0.09	3.99	5.64	21	6.91	5.5

BSPP and weld-on version available upon request.

The maximum tank diameter applies to the recommended operating pressure and is meant as a recommendation only. The cleaning result is also affected by the type of soiling.

Compressed air should be used for dry blowing for a short time only. Operation above the recommended operating pressure has a negative impact on the cleaning result and wear.

Information about slip-on connections

- Stainless steel 316L pin supplied.
- Depending on the diameter of the adapter, the flow rate can increase due to a leakage between the adapter and the rotating cleaning nozzle.

Ordering Type + Code = Ordering no.
example: 566.873.1Y + BE = 566.873.1Y.BE