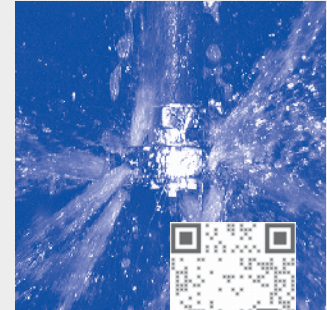
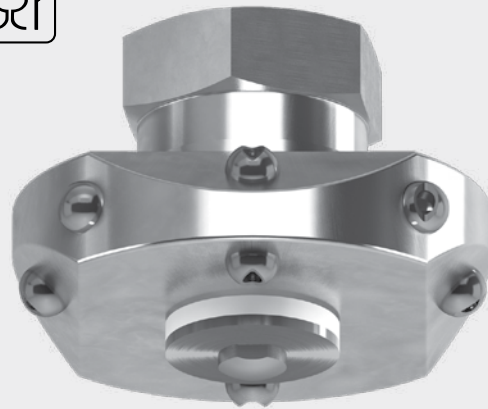




Rotating cleaning nozzles “Gyro” Series 577

Series 577

The Gyro cleans with powerful nozzle inserts and is the largest capacity free spinning design. The Gyro is capable of cleaning very large tanks and is clog-resistant.



To see video

Scan the QR-code
or go to:
www.lechlerusa.com



Materials
316 SS, PTFE



Max. temperature
194°F/ 90°C



Recommended operating pressure
40 psi



Installation
Vertically facing downward



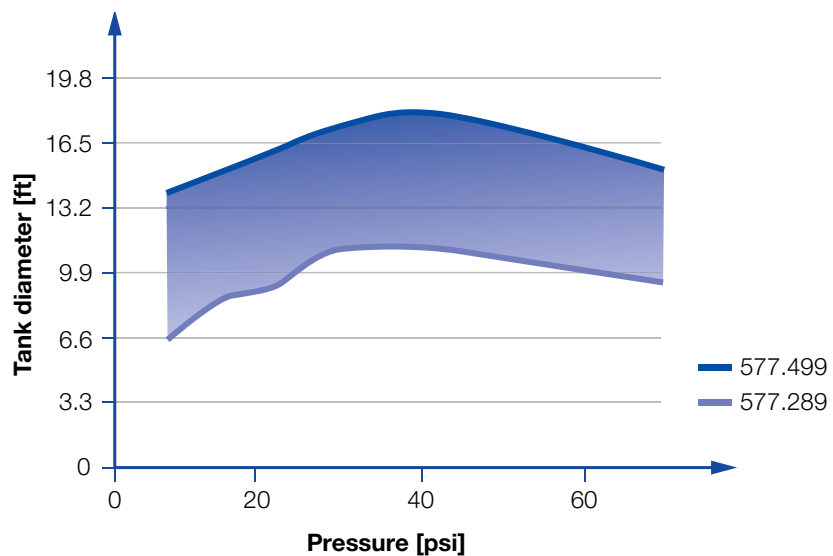
Filtration
Line strainer with a mesh size of 0.3 mm/50 mesh



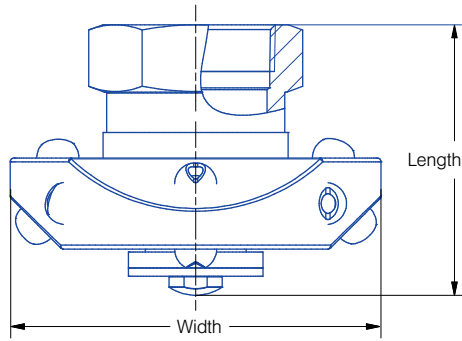
Bearing
Slide bearing made of PTFE


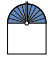





Accessories
Spare parts set consisting of: top seal, bottom seal and complete instructions.



Overview of the tank diameter, depending upon the pressure of series 577



Spray angle 	Ordering no.			Flow Rate (Gallons Per Minute)				Dimensions		Max. tank diameter [ft]
	Type	Connection		20 psi	liters per minute 2 bar	40 psi	60 psi	Length (in.)	Width (in.)	
		1" NPT	2" NPT							
180° 	577. 283. 1Y	BN	-	36	163	51	62	2.8	4.6	11.2
	577. 363. 1Y	BN	-	57	258	80	98	2.8	4.6	12.5
	577. 403. 1Y	-	BW	71	322	100	122	4.1	6.1	14.4
	577. 433. 1Y	-	BW	85	386	120	147	4.1	6.1	16.4
	577. 523. 1Y	-	BW	140	639	199	243	4.1	6.1	18
180° 	577. 284. 1Y	BN	-	36	161	51	62	2.8	4.6	11.2
	577. 364. 1Y	BN	-	57	258	80	98	2.8	4.6	12.5
	577. 404. 1Y	-	BW	71	322	100	122	4.1	6.1	14.4
	577. 434. 1Y	-	BW	85	386	120	147	4.1	6.1	16.4
	577. 494. 1Y	-	BW	145	538	167	205	4.1	6.1	18
270° 	577. 285. 1Y	BN	-	36	161	51	62	2.8	4.6	11.2
	577. 365. 1Y	BN	-	57	258	80	98	2.8	4.6	12.5
	577. 405. 1Y	-	BW	71	322	100	122	4.1	6.1	14.4
	577. 435. 1Y	-	BW	85	386	120	147	4.1	6.1	16.4
	577. 495. 1Y	-	BW	145	538	167	205	4.1	6.1	18
360° 	577. 289. 1Y	BN	-	36	161	51	62	2.8	4.6	11.2
	577. 369. 1Y	BN	-	57	258	80	98	2.8	4.6	12.5
	577. 409. 1Y	-	BW	71	322	100	122	4.1	6.1	14.4
	577. 439. 1Y	-	BW	85	386	120	147	4.1	6.1	16.4
	577. 499. 1Y	-	BW	145	538	167	205	4.1	6.1	18

Information on operation

- Operation with compressed air purge only for short-term usage. Operation above the recommended operating pressure means higher wear and smaller droplets. This might have adverse effects on the cleaning result.

The maximum tank diameter shown above applies for the recommended operating pressure and is indicative only. The cleaning result is also affected by the type of soiling.

Example **Type** + **Connection** = **Ordering no.**
for Ordering: 577. 283. 1Y. + BN = 577. 283. 1Y. BN