

Rotating cleaning nozzle MaxiSpinner 2 Series 5M4



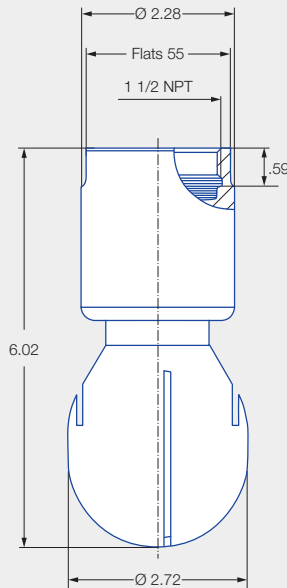
Features:

- Hygienic design
- Suitable for high temperatures
- Made entirely of stainless steel

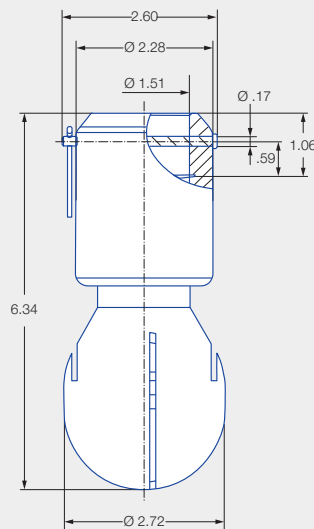


ATEX version available on request

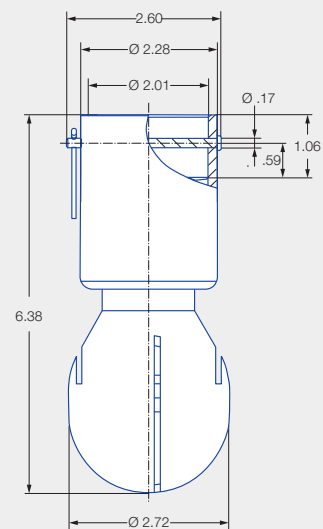
Series 5M4



Female thread



Dimensions of the 1 1/2" slip-on connection according to ASME-BE (OD-tube)



Dimensions of the 2" slip-on connection according to ASME-BE (OD-tube)

	Max. tank diameter [ft]	0	1	2	3	4	5	6	7	8	9
--	--------------------------------	---	---	---	---	---	---	---	---	---	---

Technical data:



Maximum operating temperature
392 °F
203 °F (ATEX)



Maximum ambient temperature
482 °F
392 °F (ATEX)



Installation
Operation in every installation position



Bearing
Double ball bearing made of stainless steel 1.4404 (316L) or 2.4602 (Alloy 22)



Material
Stainless steel 1.4404 (316L) or 2.4602 (Alloy 22)



Weight
1 1/4" threaded 2.43 lbs
1 1/2" threaded 3.75 lbs
1 1/2" slip-on 3.3 lbs
2" slip-on 2.87 lbs



Surface quality
Ra ≤ 0.4 µm



Surface quality
Ra ≤ 0.8 µm



Steam suitability
Conditionally suitable



Insertion diameter
2.72 in



Recommended filter
Line strainer with a mesh size of 0.1 mm/170 mesh



Recommended operating pressure
30 psi

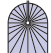


Adapter
1 1/4 BSPP and 1 1/2 BSPP are compatible with HygienicFit

Function video
www.lechler.com/de-en/medialibrary
Or scan the QR Code.





Spray angle	Ordering number					Narrowest free cross section Ø [in]	V̇ water [gal/min]				Max. tank diameter [ft]
	Type	Connection					p [psi] (p _{max} = 100 psi)*				
		1 1/4" Female NPT	1 1/2" Female NPT	1 1/2" Slip-on	2" Slip-on		15	30	Liters per min. 2 bar	45	
360° 	5M4.279.1Y	BQ	BS	TF15	TF20	0.07	28.49	40.30	150	49.35	13
	5M4.329.1Y	BQ	BS	TF15	TF20	0.08	37.99	53.73	200	65.81	15
	5M4.369.1Y	BQ	BS	TF15	TF20	0.09	47.49	67.16	250	82.26	16

BSPP thread and weld-on versions on request.

* Please note the maximum operating pressure of 58 psi for the 2" slip-on connection.

The max. tank diameter shown above applies for the recommended operating pressure and has to be seen as a recommendation. The cleaning result is also affected by the type of soiling

Operating with compressed air only for short-term usage. Operation above the recommended operating pressure has negative effects on the cleaning result and wear.

Information slip-on connection

- Bolt with head incl. pin made of stainless steel 316L included (Ordering no. 05M.431.1Y.00.00.0).
- Depending on diameter of the adapter, the flow rate increase due to leakage between connecting pipe and rotating cleaning nozzle.
- Minimum insertion diameter (with mounted bolt) is the same as for the threaded variants 2.72 in.

Example of ordering:	Type	+	Connection	=	Ordering no.
	5M4.369.1Y	+	BQ	=	5M4.369.1Y.BQ