

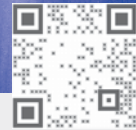
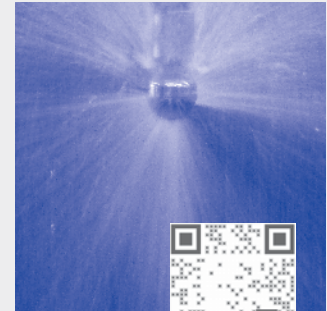


Rotating cleaning nozzle “MiniSpinner” Series 5MI

Series 5MI

The innovative slot design gives the MiniSpinner its high degree of effectiveness. Due to the modern bearing construction, it is particularly reliable and durable.

The MiniSpinner is made entirely from stainless steel and designed for use also at high temperatures. Apart from stainless steel, it is also available in Hastelloy® and in many flow rates.



To see video

Scan the QR-code
or go to:
www.lechlerusa.com

	Max. tank diameter [ft]	0	5	10	15	20	25	30
--	--------------------------------	---	---	----	----	----	----	----



Materials

AISI 316L SS,
AISI 440C SS
Hastelloy® C22,
Hastelloy® C276



Max. temperature

284°F/ 140°C



Recommended operating pressure

30 psi



Installation

Operates in every direction



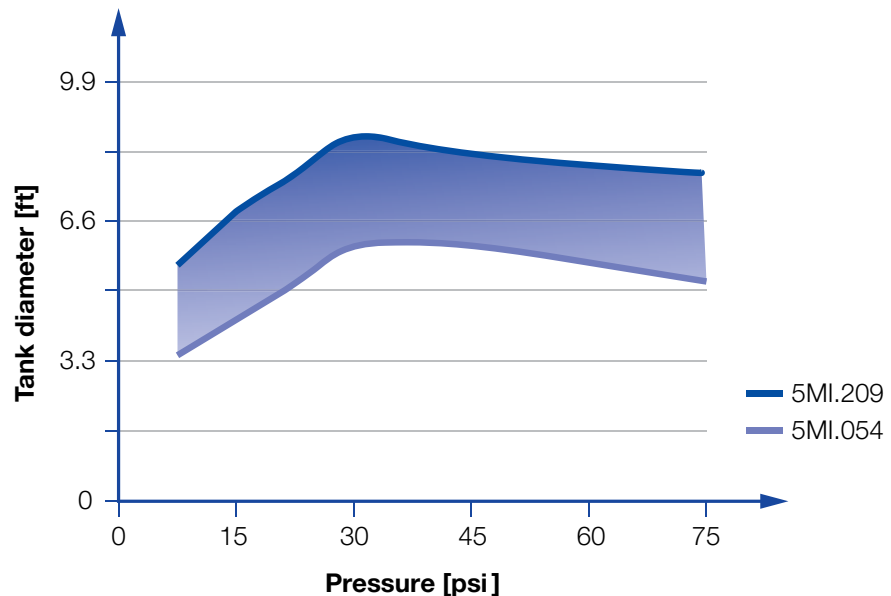
Filtration

Line strainer with a mesh size of 0.1 mm/170 Mesh



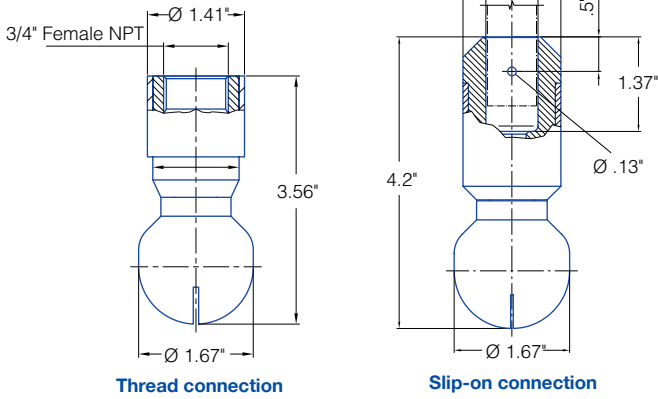
Bearing

Double ball bearing made of AISI 440C
Double ball bearing made of C276



Overview of the tank diameter, depending upon the pressure of series 5MI





**Example of ordering with ATEX approval.
FDA and (EG) 1935/2004 conform.**



Unit group / category / zones:

- ⊕ II 1G Ex h LLB T6... T3 Ga
- ⊕ II 1D Ex h IIC T85 °C...T150 °C Da

Example Type + Material no. + Connection = Ordering no.
of ordering: 5MI. 162. + 1Y + BH = 5MI. 162. 1Y. BH.EX

**Example of ordering with FDA
and (EG) 1935/2004 conform.**



**All Materials are suitable for
contact with food.**

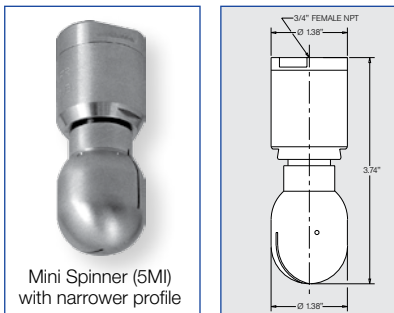
Example Type + Material no. + Connection = Ordering no.
of ordering: 5MI. 162. + 1Y + BH = 5MI. 162. 1Y. BH.EX

Spray angle	Ordering no.						Free Passage (in.)	Flow Rate (Gallons Per Minute)					Max. tank diameter [ft]
	Type	Material no.		Connection*				20 psi	30 psi	liters per minute 2 bar	40 psi	60 psi	
		AISI 316L 1Y	C22** 21	1/2" Female NPT	3/4" Female NPT	3/4" OD Slip-on							
60°	5MI. 162	○	○	BH	-	TF07	.102	13.8	17	63	20	24	-
180°	5MI. 113	○	○	-	BL	TF07	.039	14.7	18	67	21	25	9
180°	5MI. 114	○	○	-	BL	TF07	.039	14.7	18	67	21	25	9
360°	5MI. 054	○	○	-	BL	TF07	.019	6.6	8	30	9.3	11.4	6
	5MI. 074	○	○	-	BL	TF07	.023	10.8	13	49	15.2	18.6	7
	5MI. 014	○	○	-	BL	TF07	.035	15.1	19	69	21	26	8
	5MI. 209	○	○	-	BL	TF07	.059	21.9	27	100	31	38	8.5

* NPT, more slip-on sizes and weld-on versions on request

** Material no. 21 (Hastelloy C22) not FDA and (EG) 1935/2004 conform

The maximum tank diameter shown above applies for the recommended operating pressure and is indicative only. The cleaning result is also affected by the type of soiling.



Mini Spinner (5MI) with narrower profile

Spray angle	Ordering no.		Free Passage (in.)	Flow Rate (Gallons Per Minute)					Max. tank diameter [ft]
	Type	Conn. 3/4" Female NPT		20 psi	30 psi	liters per minute 2 bar	40 psi	60 psi	
360°	5MI. 089. 17	BL	.038	11	13.2	49	15	19	6
	5MI. 139. 17	BL	.059	15	18.5	69	21	26	7

Information

- Operation with compressed air purge only for short-term usage. Operation above the recommended operating pressure means higher wear and smaller droplets. This might have adverse effects on the cleaning result.

- R-clip made of stainless steel AISI 316L is included (Ordering no.: 095.013.1E.05.59), Hastelloy® C22 (Ordering no.: 095.013.21.50.60).
- Depending on diameter of the adapter the flow rate can increase due to leakage between the connection and rotating cleaning nozzle.

