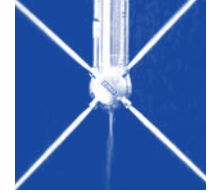




High impact tank cleaning machine

»IntenseClean Hygienic«

Series 5TA/5TB



- Gear-controlled
- Particularly powerful solid jets
- Operating pressures up to 217 and 362psi possible

Applications:

Cleaning tanks/gray and black water tanks.

Materials:

316L SS, 632 SS, PEEK, PTFE, Zirconium oxide, EPDM

Max. temperature:

203°F, 266°F (Environment)

Recommended operating pressure:
29-145 psi

Installation:

Operation in every direction possible

Filtration:

Line strainer with a mesh size of 0.2 mm/80 mesh

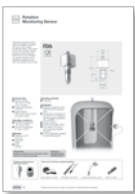
Bearing:

Ball bearing

Weight:

5TA: 2 lbs
5TB: 8.8 lbs

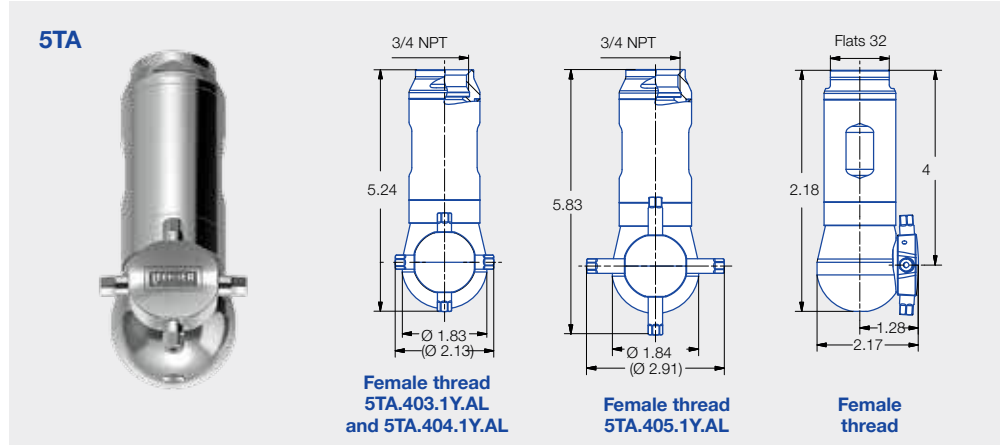
Rotation monitoring sensor:




Sensor compatible, please ask for more information.



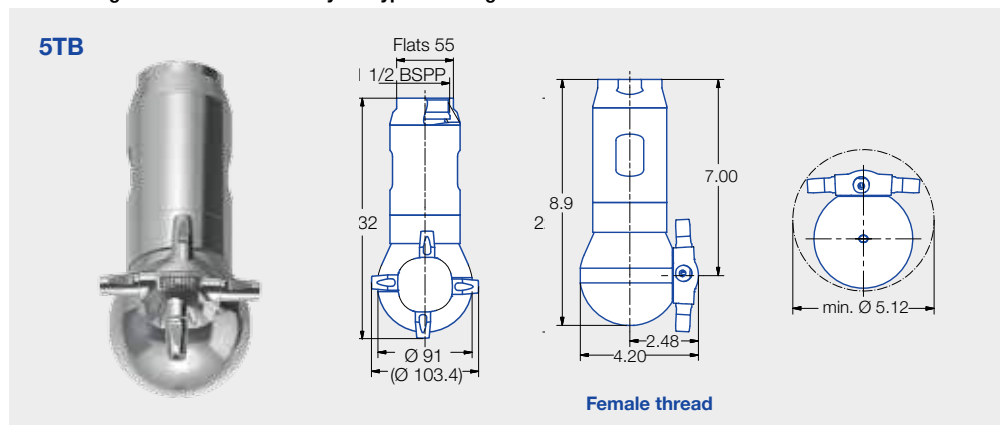
ATEX version on request





Spray angle 	Ordering no.	Free Passage (in.)	Number, Ø Nozzles [in]	Flow Rate (Gallons Per Minute)					Max Pressure (psi)	Max. tank diameter [ft]
				liters per minute 2 bar	30 psi	40 psi	75 psi	145 psi		
360°	5TA. 403. 1Y. BL	.059	4 x .12	25	7	8	11	15	217	39
	5TA. 404. 1Y. BL	.059	4 x .16	42	11	13	18	25	217	41
	5TA. 405. 1Y. BL	.059	4 x .20	50	13	16	21	30	217	43

E = narrowest free cross section · Slip-on connection on request

The maximum tank diameter shown above applies for the recommended operating pressure and is indicative only. The cleaning result is also affected by the type of soiling.



Spray Angle 	Ordering no.	Free Passage (in.)	Number, Ø of nozzles (in)	liters per minute 2 bar	Flow Rate (Gallons Per Minute)				Max. tank Ø (ft.)	Max. pressure (psi)
					30 psi	40 psi	75 psi	145 psi		
360° 	5TB. 406. 1Y. BS	.236	4 x .24	107.0	28.7	33.2	45.4	63.1	42	362
	5TB. 407. 1Y. BS	.236	4 x .28	135.0	36.2	41.8	57.2	79.6	46	362
	5TB. 408. 1Y. BS	.236	4 x .32	165.0	44.3	51.2	70.1	97.5	46	362

E = narrowest free cross section · Slip-on connection on request

The maximum tank diameter shown above applies for the recommended operating pressure and is indicative only. The cleaning result is also affected by the type of soiling.